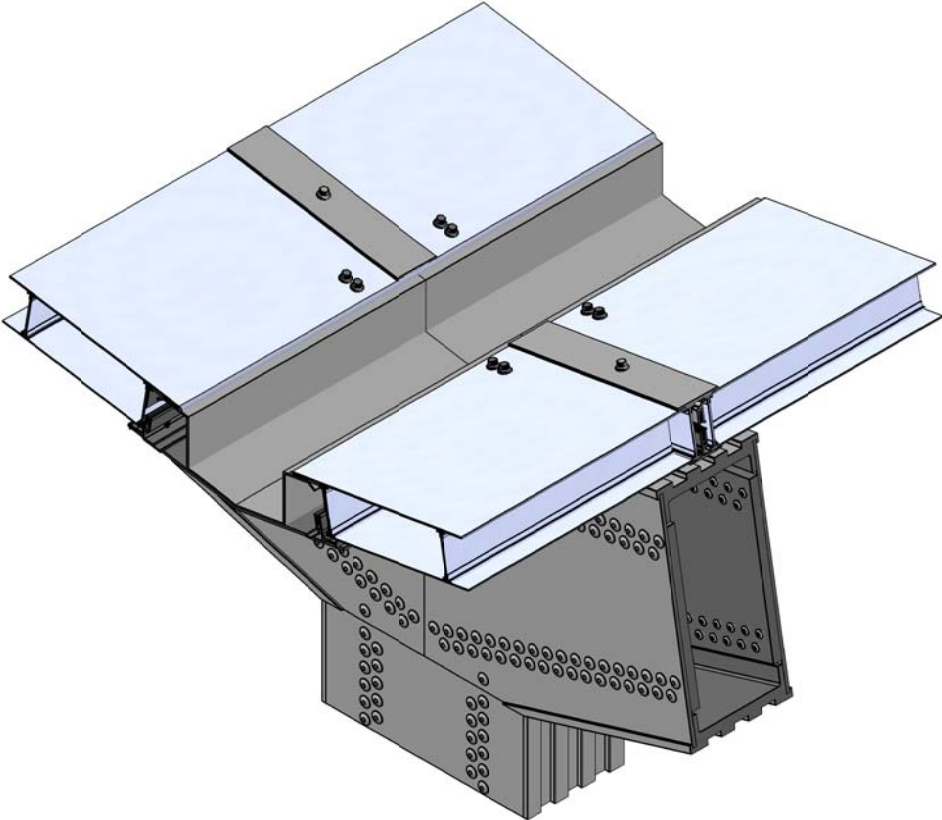


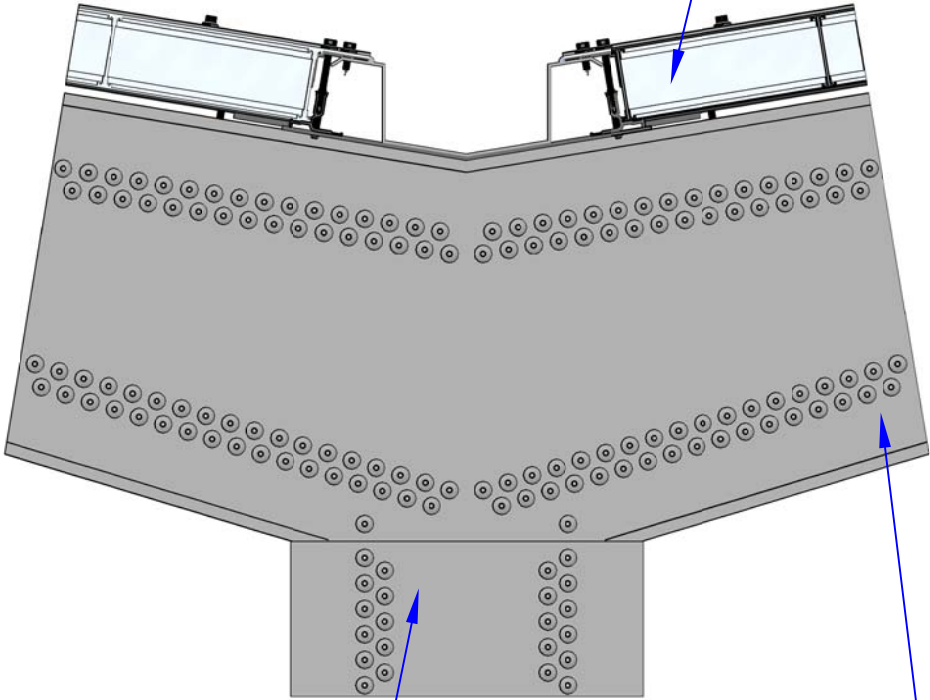
DOUBLE WING WITHOUT GIRDER AT EAVE

Visual Representation Only - All Details Are Custom Engineered and Designed for Each Specific Project

Please Contact Structures Unlimited, Inc. at info@structuresunlimitedinc.com for Your Individual Solution



(70mm) 2 3/4" LIGHT TRANSMITTING PANELS



ALUMINUM BOX BEAM COLUMN

ALUMINUM BOX BEAM RAFTER