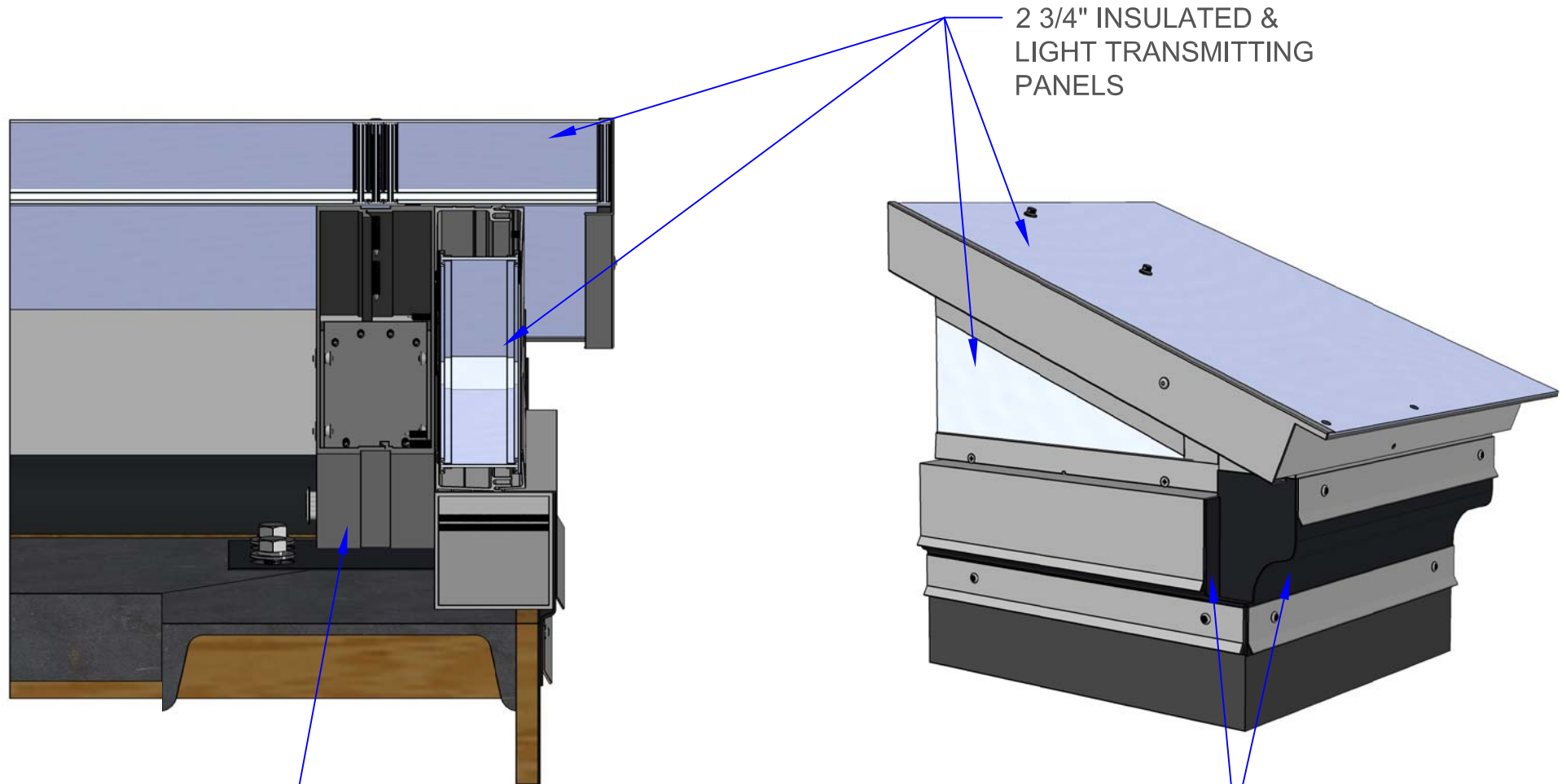


# REMOVABLE CENTER RIDGE - END WALL

Visual Representation Only - All Details Are Custom Engineered and Designed for Each Specific Project

Please Contact Structures Unlimited, Inc. at [info@structuresunlimitedinc.com](mailto:info@structuresunlimitedinc.com) for Your Individual Solution



2 3/4" INSULATED &  
LIGHT TRANSMITTING  
PANELS

ALUM BOX BEAM  
SUPERSTRUCTURE  
W/CORROSION  
RESISTANT FINISH

BLACK EPDM  
FLEXIBLE FLASHING  
BY SUI