

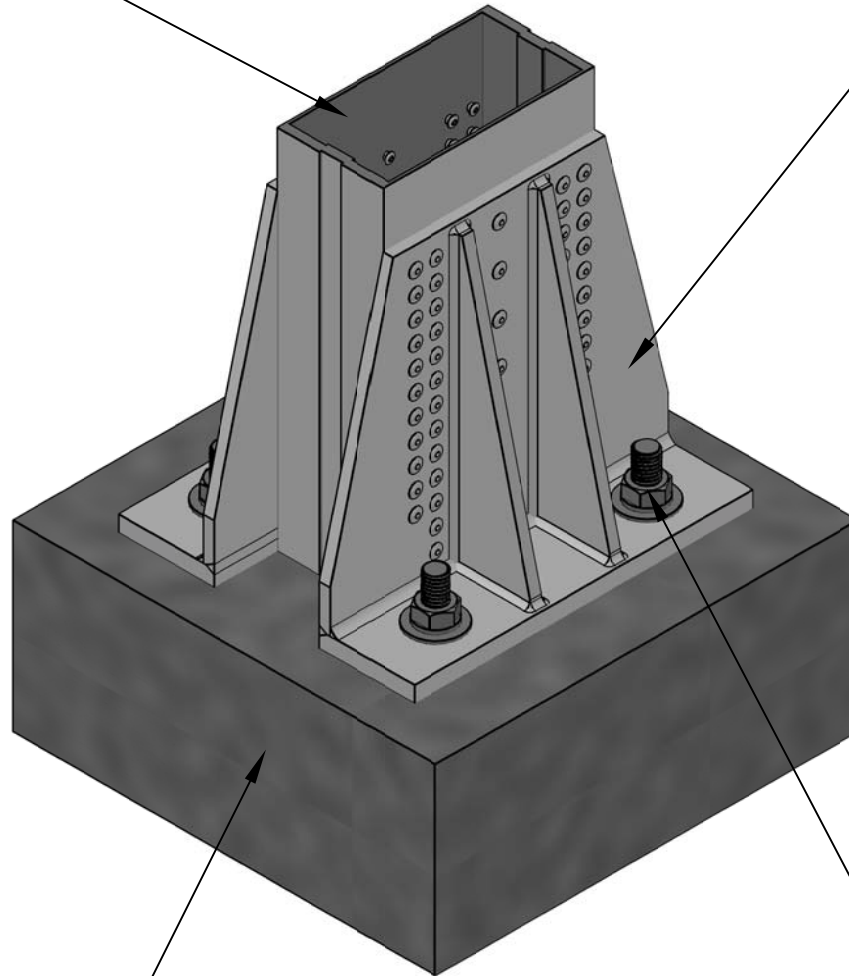
WELDED ANGLE CONNECTION

Visual Representation Only - All Details Are Custom Engineered and Designed for Each Specific Project

Please Contact Structures Unlimited, Inc. at info@structuresunlimitedinc.com for Your Individual Solution

ALUMINUM BOX
BEAM COLUMN

EXTERNAL ALUMINUM
BASE BRACKET



STRUCTURAL FOUNDATIONS
PIERS AND CURBS TO BE
DESIGNED/SIZED BY OTHERS

ANCHOR BOLTS
BY OTHERS