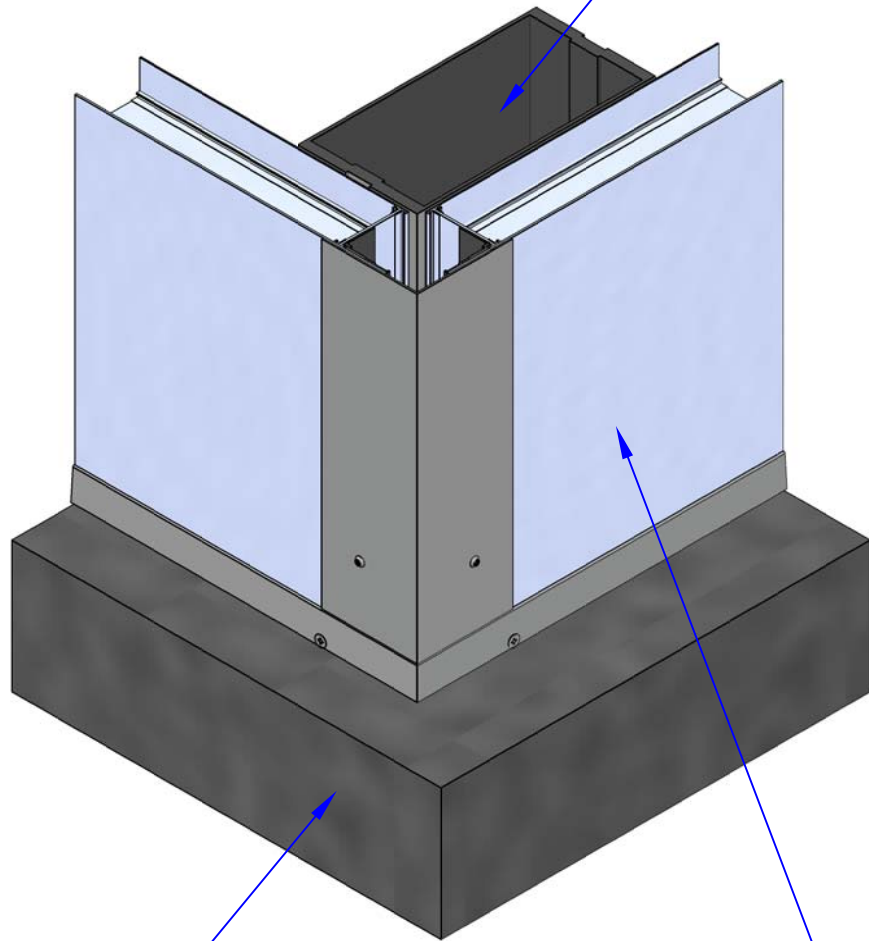


ENCLOSURE KALWALL CORNER

Visual Representation Only - All Details Are Custom Engineered and Designed for Each Specific Project
Please Contact Structures Unlimited, Inc. at info@structuresunlimitedinc.com for Your Individual Solution

ALUMINUM BOX BEAM
SUPERSTRUCTURE W/
CORROSION RESISTANT
FINISH

ANCHOR BOLTS
BY OTHERS



CURB BY
OTHERS

(70mm) 2 3/4" INSULATED &
LIGHT TRANSMITTING PANELS

