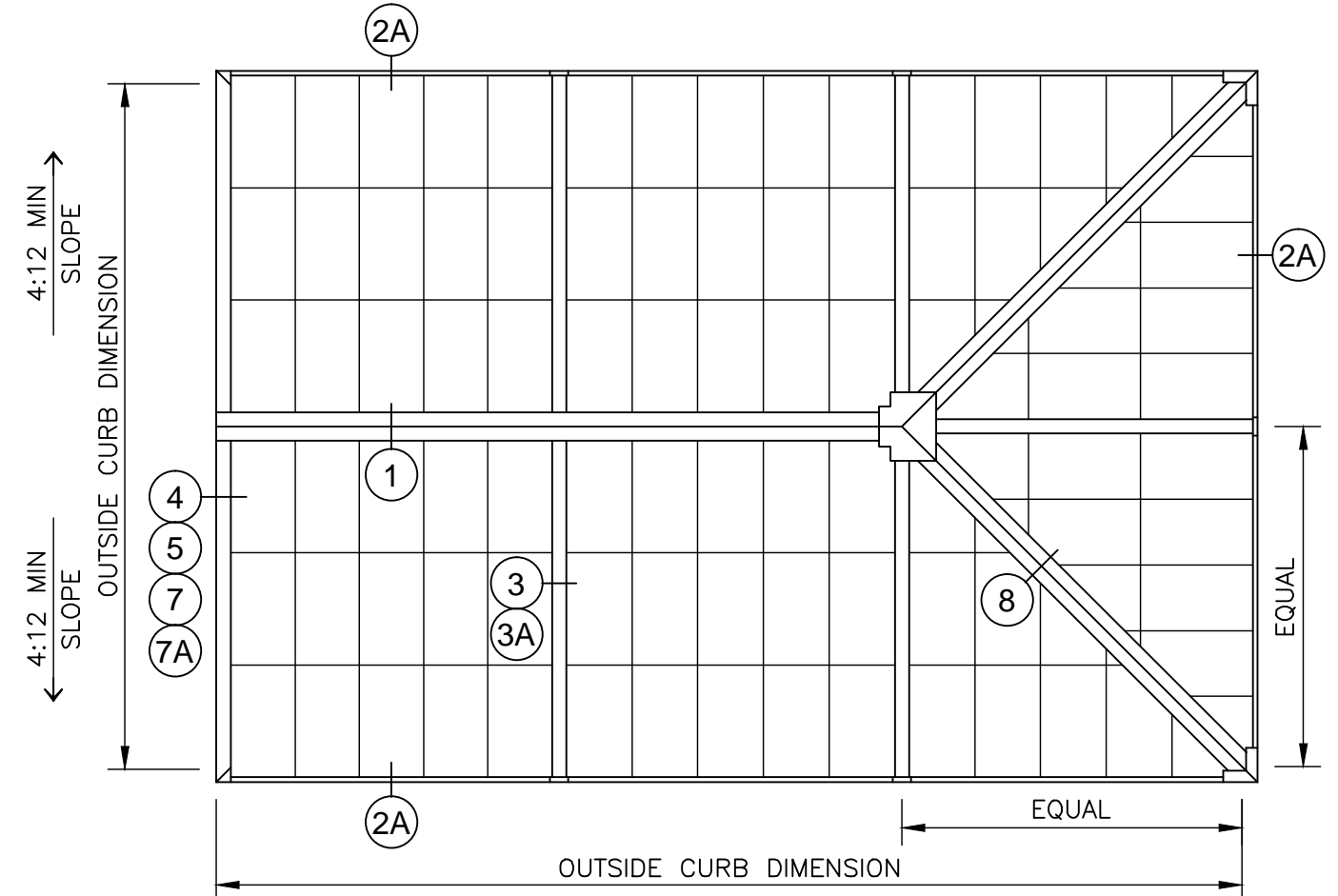
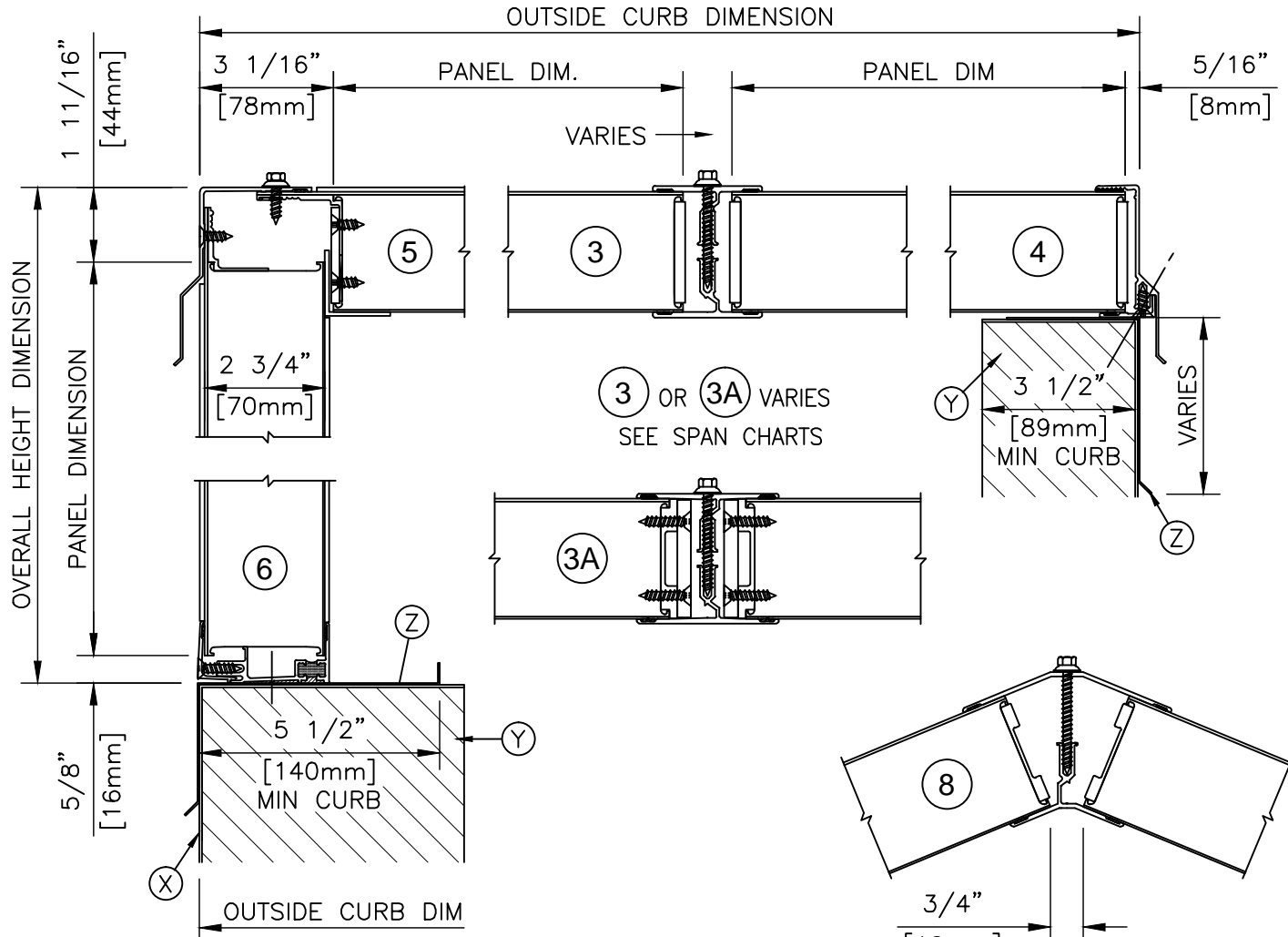
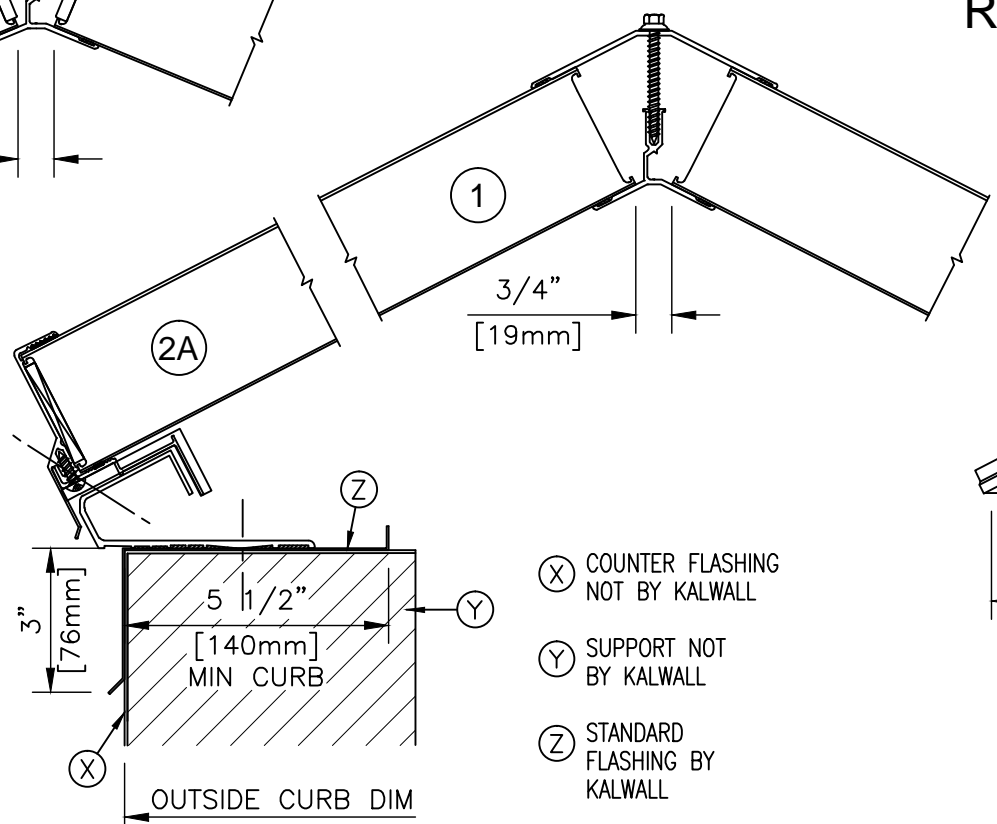
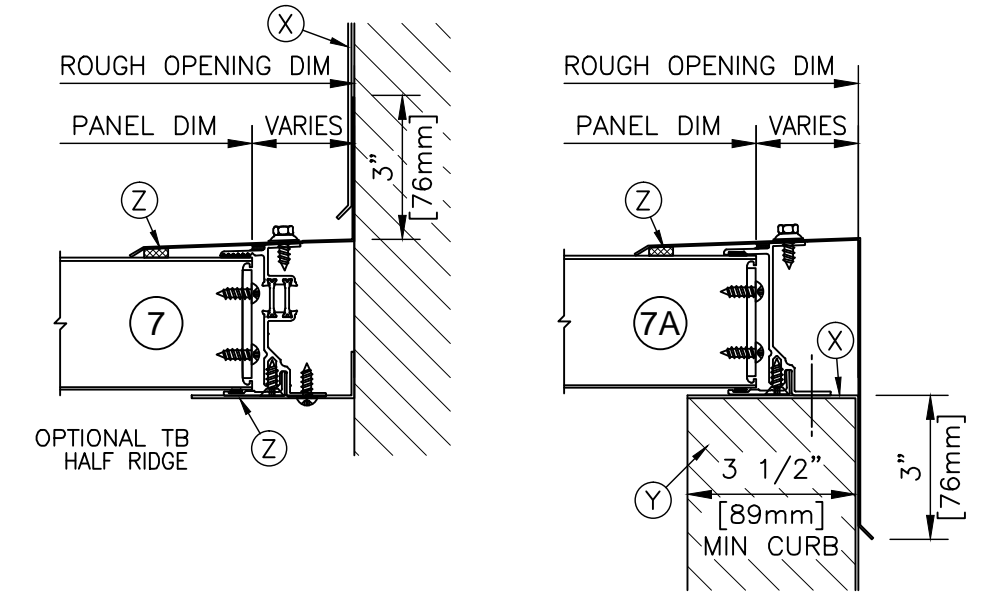


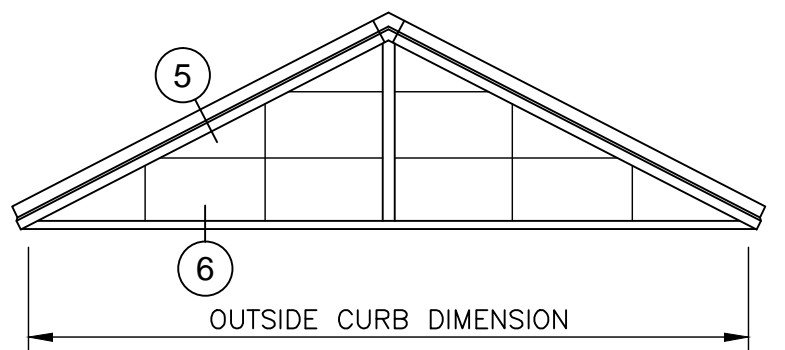
# SELF SUPPORTING RIDGE ROOFS



**HIP END OPTION**  
 SPANS EXCEEDING 14'-0" [4267mm] AT 40 PSF [1915Pa] SNOW LOAD WILL REQUIRE EXPOSED 3" X 7" BOX BEAMS.  
 27.25° MINIMUM PITCH WITH HIP ENDS



- (X) COUNTER FLASHING NOT BY KALWALL
- (Y) SUPPORT NOT BY KALWALL
- (Z) STANDARD FLASHING BY KALWALL



**KALWALL**<sup>®</sup>  
 high performance translucent building systems