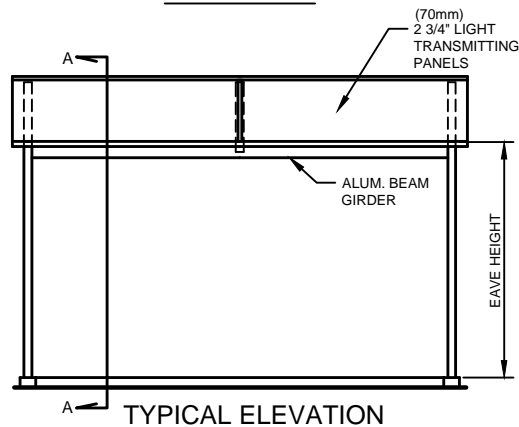
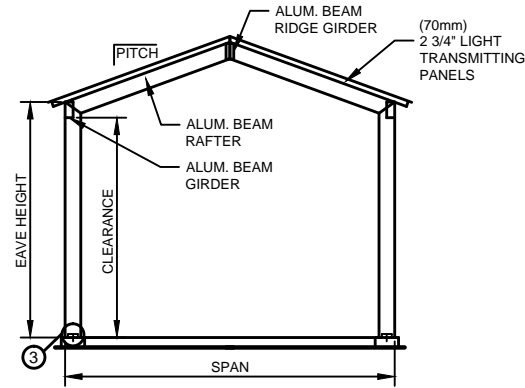


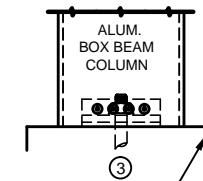
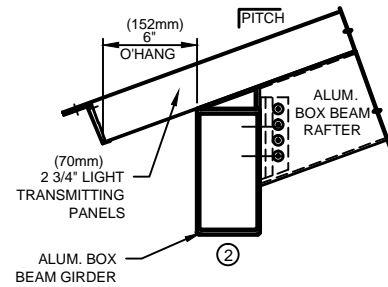
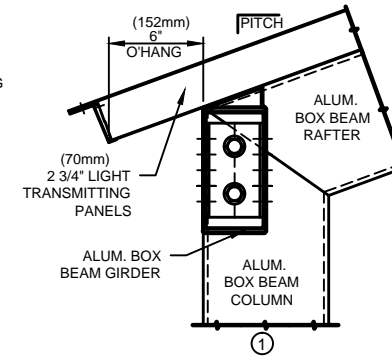
**ROOF PLAN**



**TYPICAL ELEVATION**



**SECTION A-A**



STRUCTURAL FOUNDATIONS, PIERS AND CURBS TO BE DESIGNED/SIZED BY OTHERS

**CENTER RIDGE CANOPY WITH WIDE COLUMN SPACING**

**Structures Unlimited**

ENGINEERING DAYLIGHT