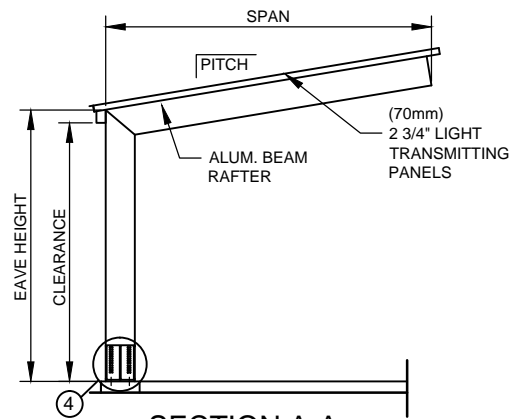
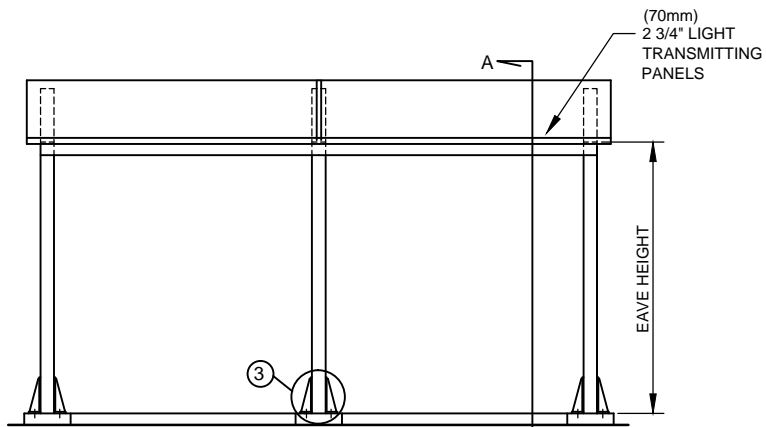
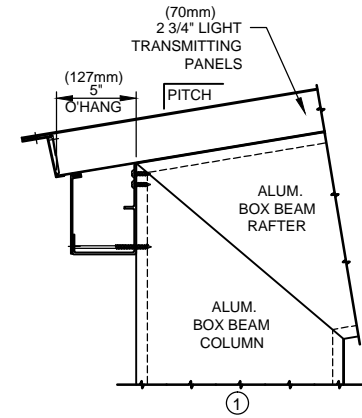


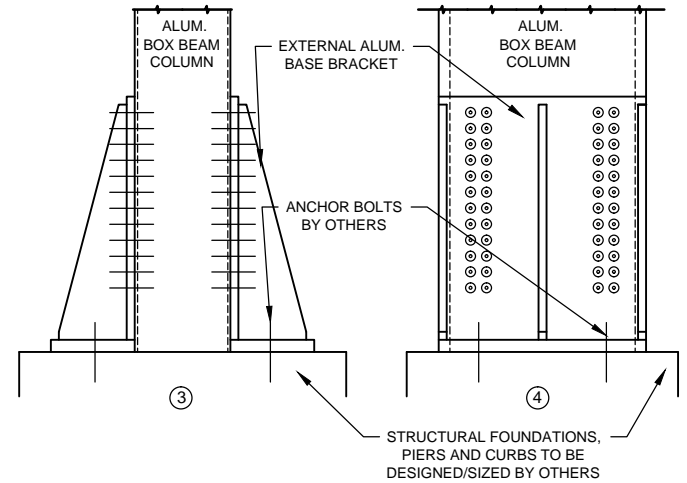
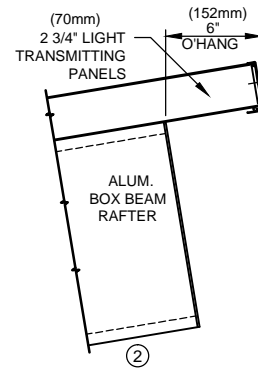
ROOF PLAN



SECTION A-A



TYPICAL ELEVATION



SINGLE-WING SHED CANOPY

Structures Unlimited

ENGINEERING DAYLIGHT