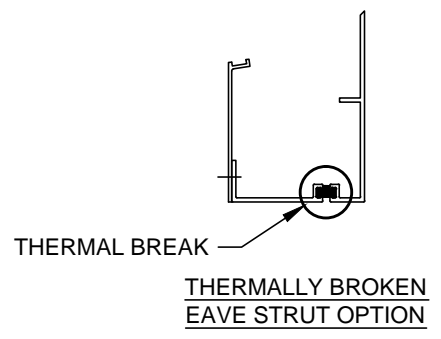
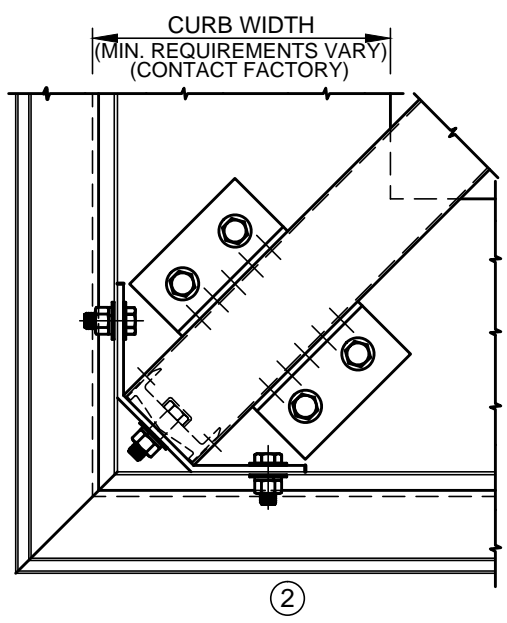
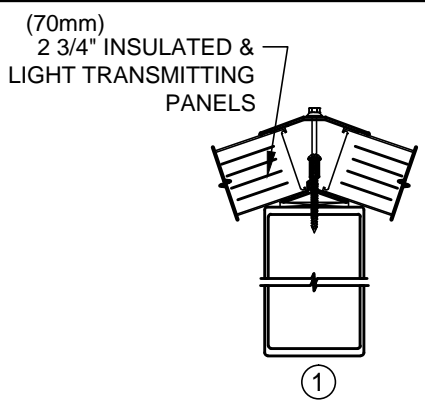
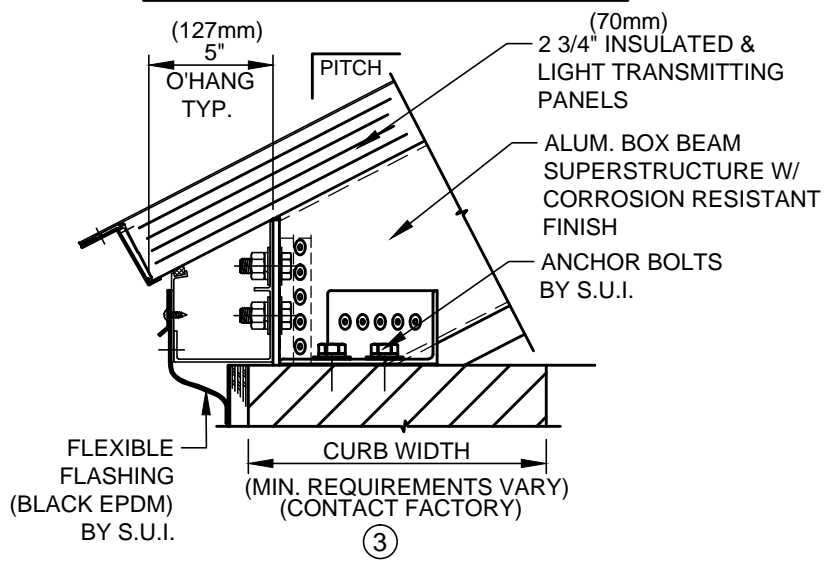


STANDARD PITCHES= 16°, 20° & 27.23°
(OTHER PITCHES AVAILABLE UPON REQUEST)
3 IN 12 (14.04°) MINIMUM ROOF PITCH



**VERTICAL PANEL PYRAMID
(LESS THAN 34'-0")**

StructuresUnlimited
ENGINEERING DAYLIGHT