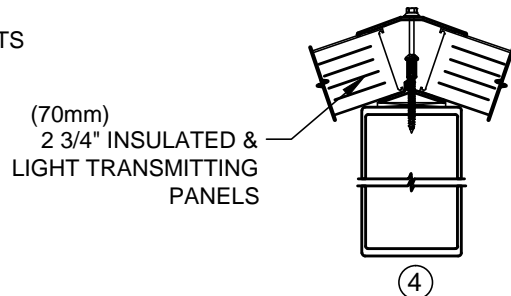
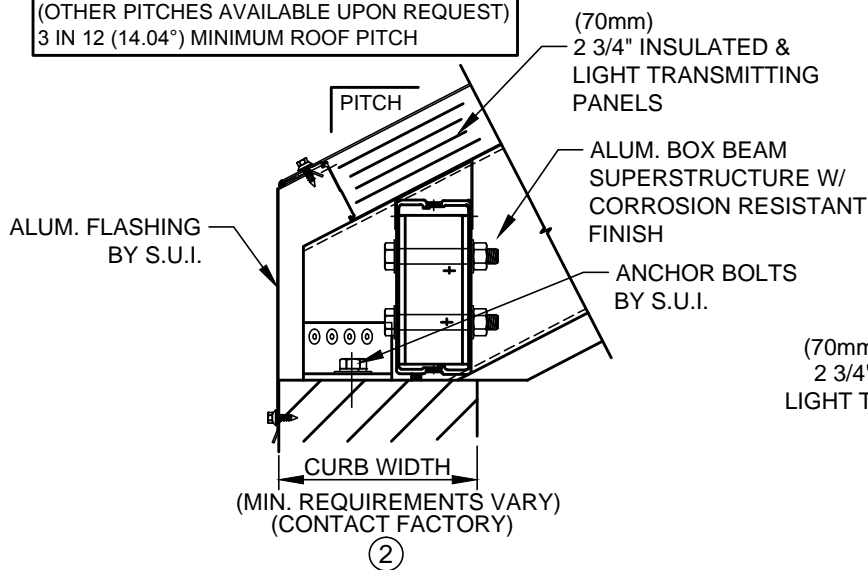


STANDARD PITCHES= 16°, 20° & 27.23°
(OTHER PITCHES AVAILABLE UPON REQUEST)
3 IN 12 (14.04°) MINIMUM ROOF PITCH



REMOVABLE VERTICAL PANEL PYRAMID

StructuresUnlimited

ENGINEERING DAYLIGHT