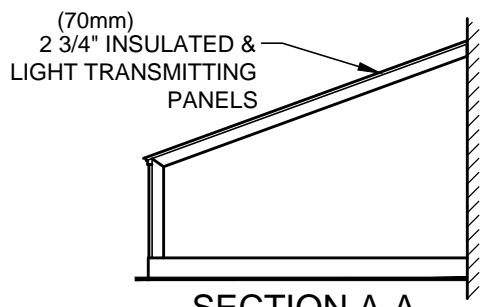
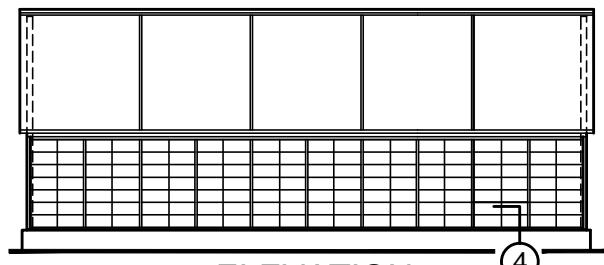


ROOF PLAN
 8'-0" (2438mm) NOMINAL O.C.
 (305mm X 610mm) 12" X 24" NOM. GRID



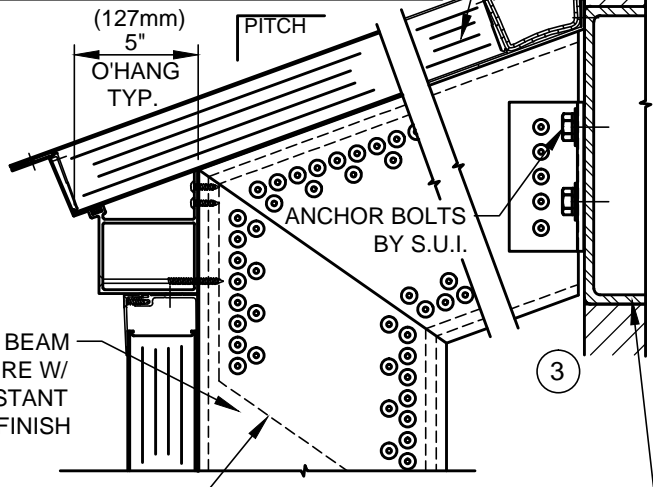
SECTION A-A

COUNTER FLASHING/ REGLET BY OTHERS



ELEVATION

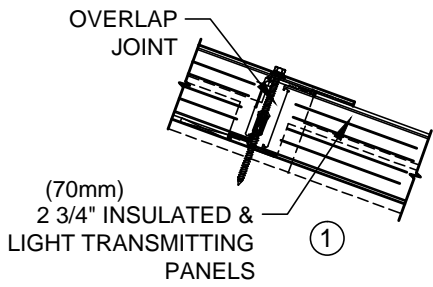
STANDARD PITCHES= 16°, 20° & 27.23°
 (OTHER PITCHES AVAILABLE UPON REQUEST)
 2 1/2 IN 12 (11.77°) MINIMUM ROOF PITCH



ALUM. BOX BEAM SUPERSTRUCTURE W/ CORROSION RESISTANT FINISH

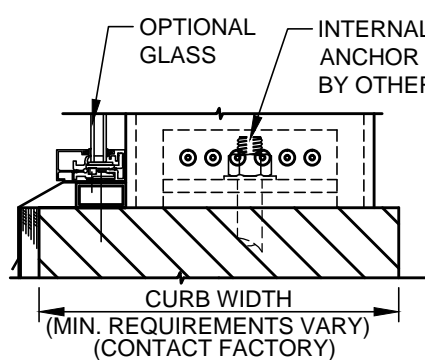
INTERNAL GUSSETED REINFORCEMENT

STRUCTURAL STEEL LINTEL TO BE DESIGNED/SIZED BY OTHERS



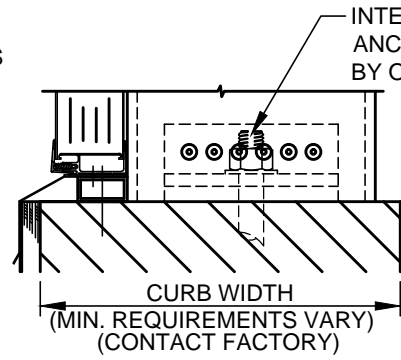
OVERLAP JOINT

(70mm) 2 3/4" INSULATED & LIGHT TRANSMITTING PANELS



CURB WIDTH (MIN. REQUIREMENTS VARY) (CONTACT FACTORY)

4A



CURB WIDTH (MIN. REQUIREMENTS VARY) (CONTACT FACTORY)

4

INTERNAL ANCHOR BOLTS BY OTHERS

THERMAL BREAK

THERMALLY BROKEN EAVE STRUT OPTION