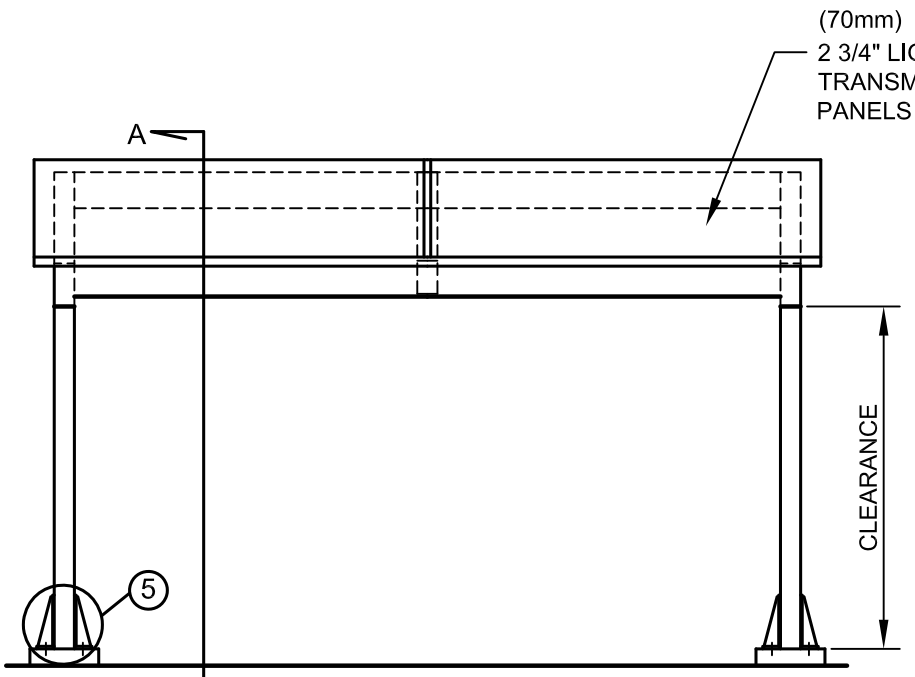
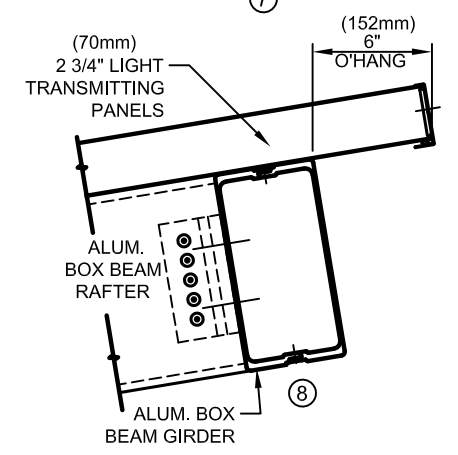
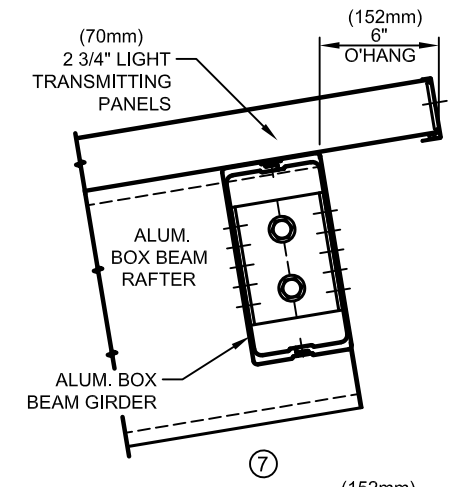
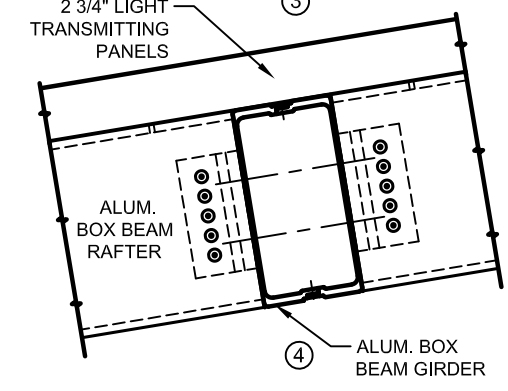
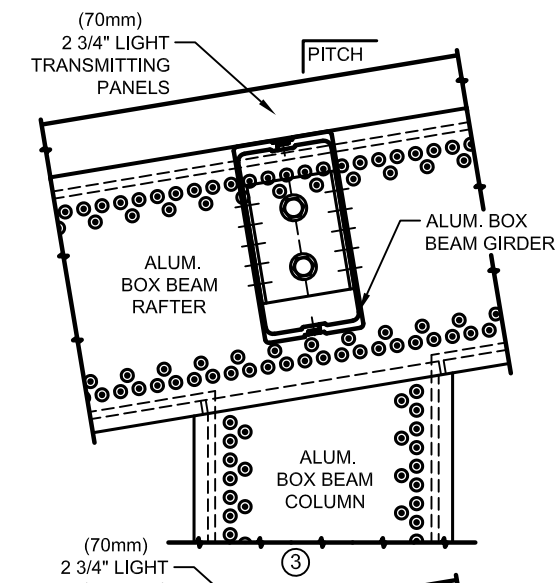
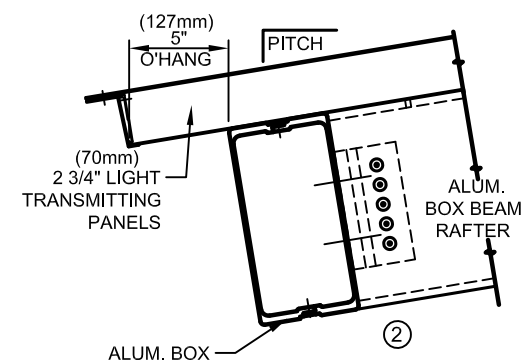
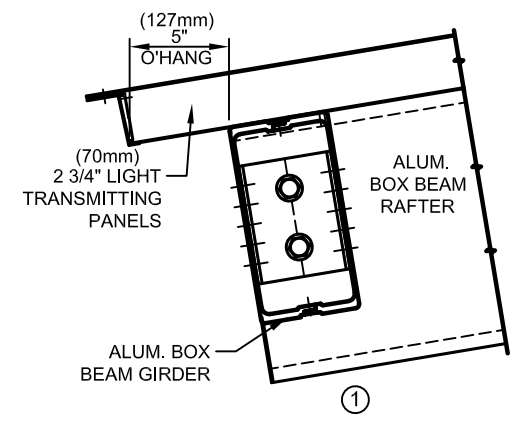
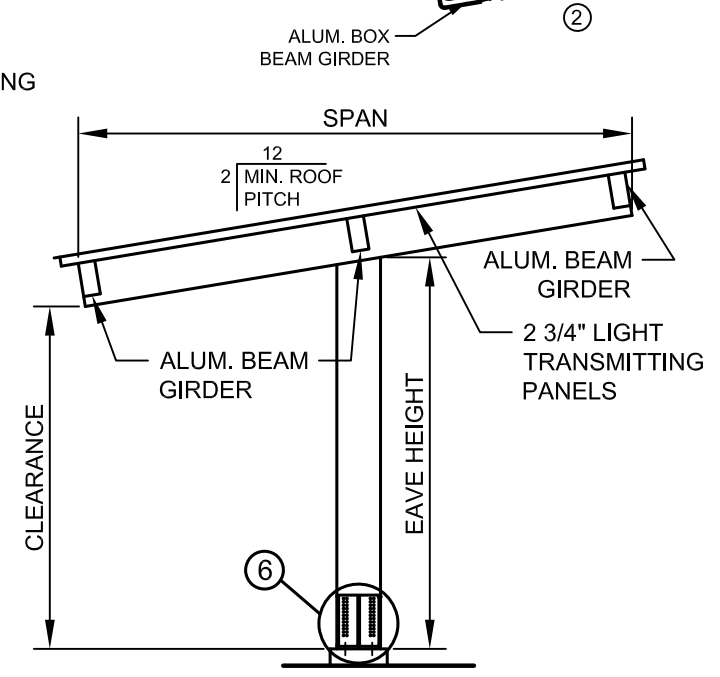


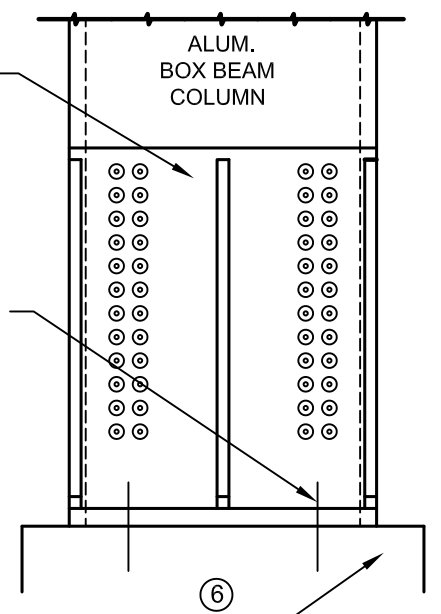
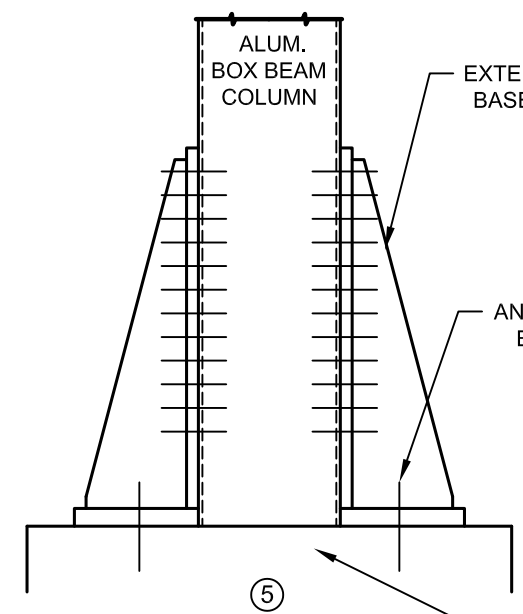
ROOF PLAN



TYPICAL ELEVATION



SECTION A-A



STRUCTURAL FOUNDATIONS, PIERS AND CURBS TO BE DESIGNED/SIZED BY OTHERS