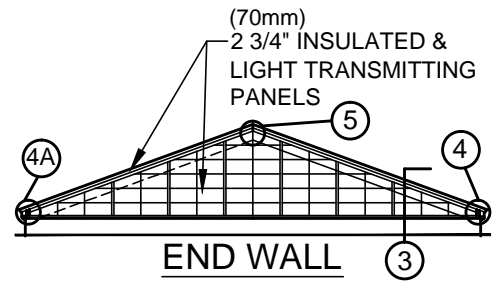


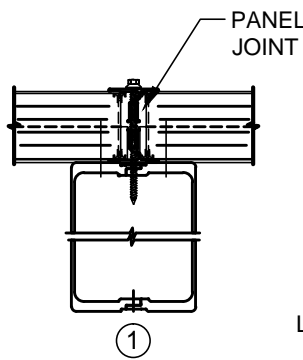
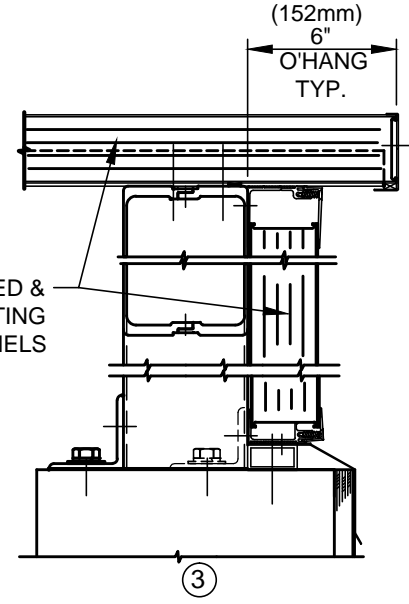
ROOF PLAN

8'-0"
(2438mm)
NOMINAL
O.C.

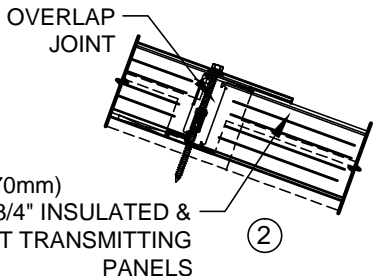
(305mm X 610mm)
12" X 24"
NOMINAL GRID



END WALL



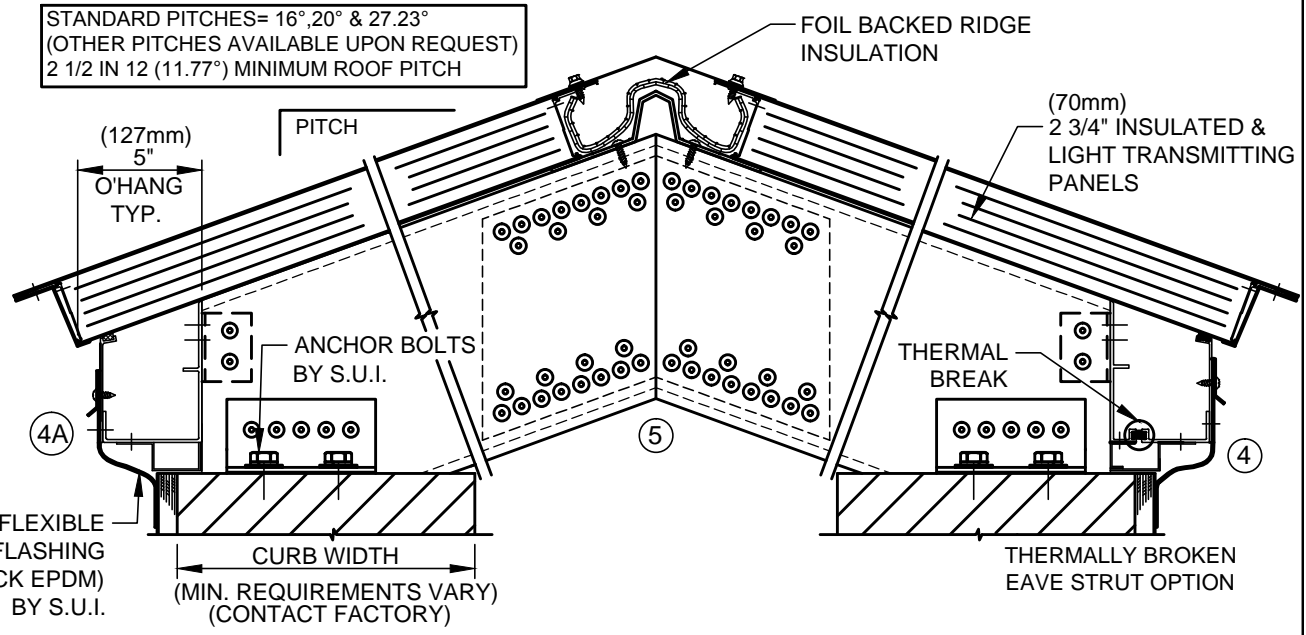
PANEL JOINT



OVERLAP JOINT

(70mm)
2 3/4" INSULATED &
LIGHT TRANSMITTING
PANELS

STANDARD PITCHES= 16°, 20° & 27.23°
(OTHER PITCHES AVAILABLE UPON REQUEST)
2 1/2 IN 12 (11.77°) MINIMUM ROOF PITCH



FOIL BACKED RIDGE INSULATION

(70mm)
2 3/4" INSULATED &
LIGHT TRANSMITTING
PANELS

(127mm)
5"
O'HANG
TYP.

PITCH

ANCHOR BOLTS
BY S.U.I.

THERMAL
BREAK

FLEXIBLE
FLASHING
(BLACK EPDM)
BY S.U.I.

CURB WIDTH
(MIN. REQUIREMENTS VARY)
(CONTACT FACTORY)

THERMALLY BROKEN
EAVE STRUT OPTION

CENTER RIDGE SKYLIGHT

StructuresUnlimited

ENGINEERING DAYLIGHT