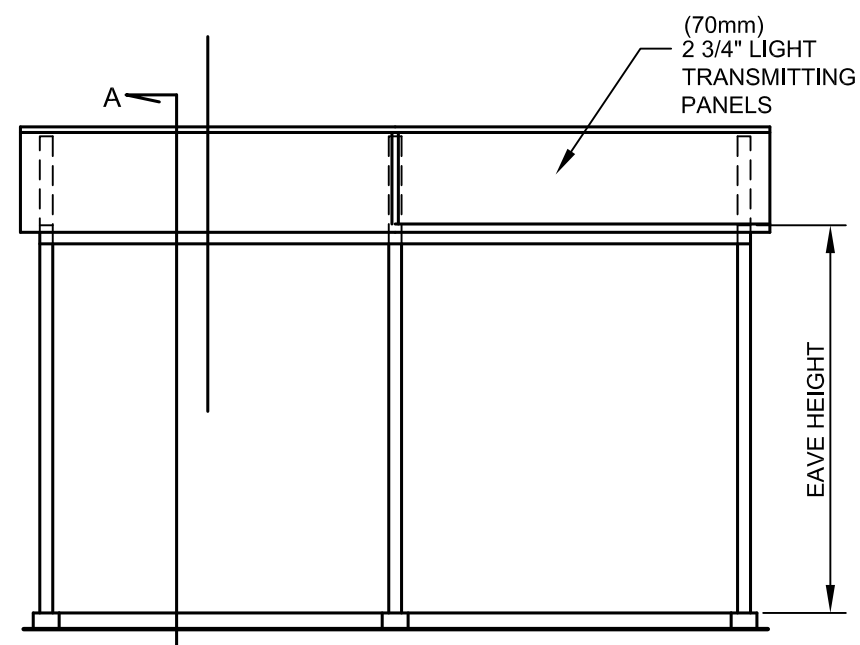
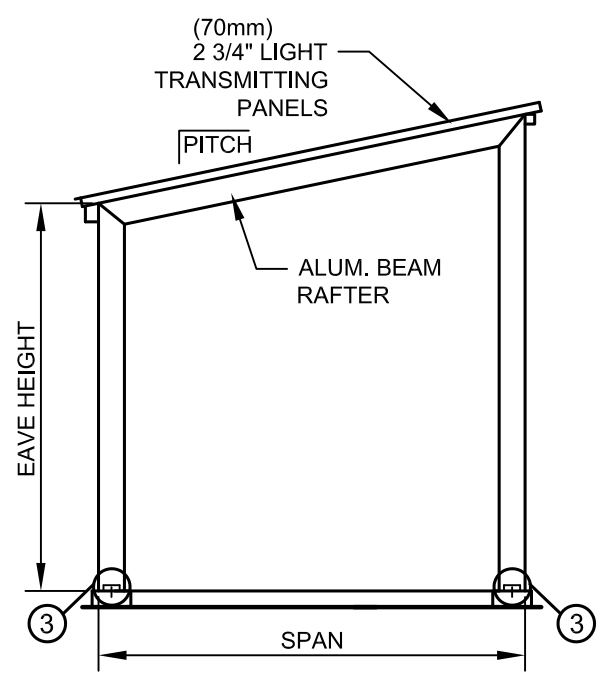


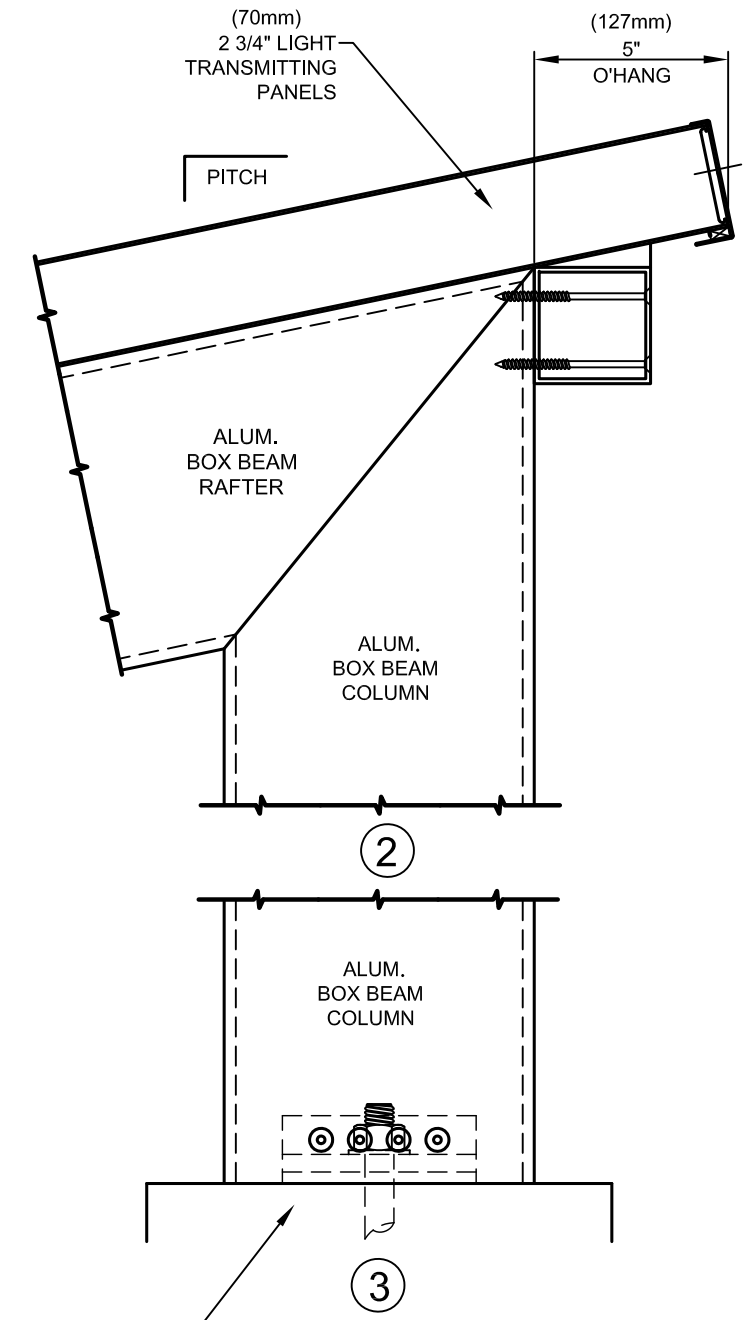
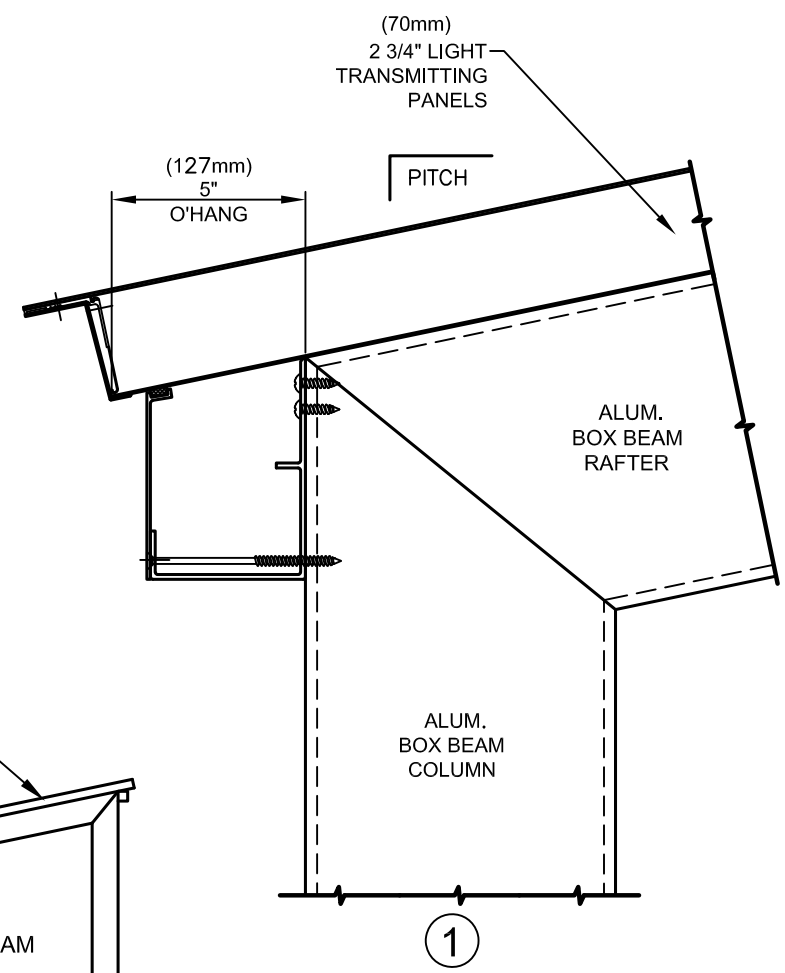
**ROOF PLAN**



**TYPICAL ELEVATION**



**SECTION A-A**



STRUCTURAL FOUNDATIONS,  
PIERS AND CURBS TO BE  
DESIGNED/SIZED BY OTHERS