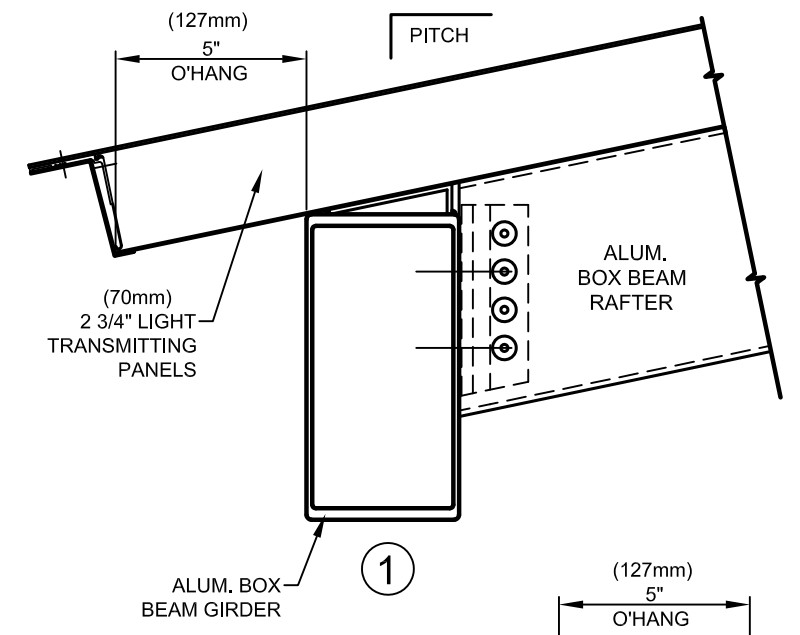
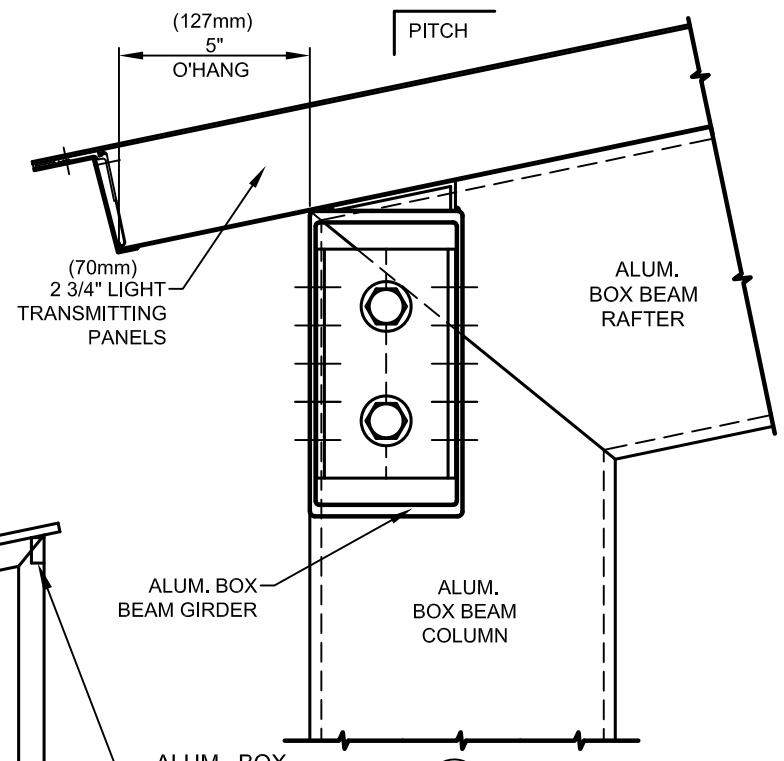


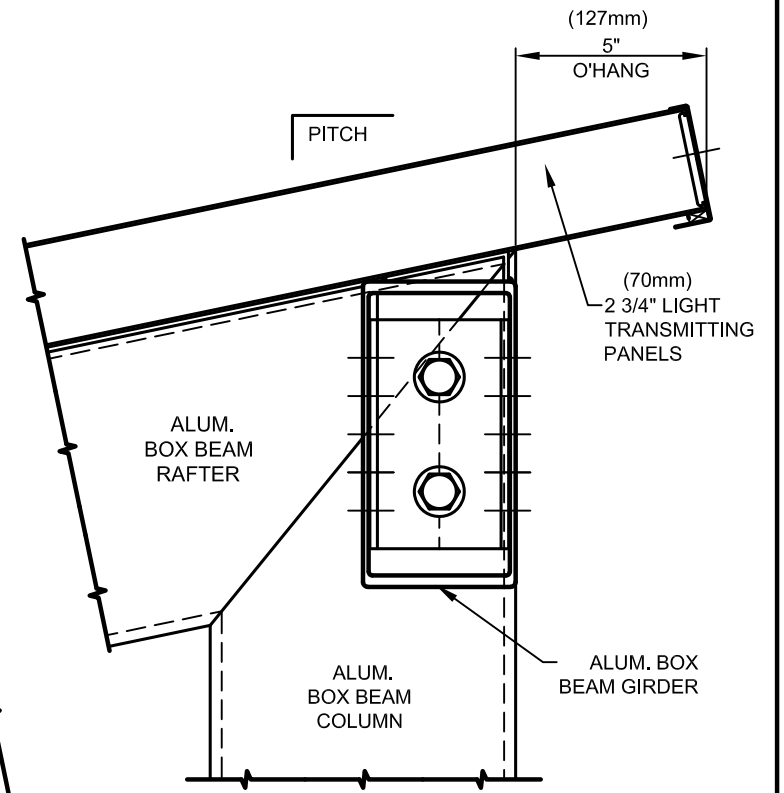
ROOF PLAN



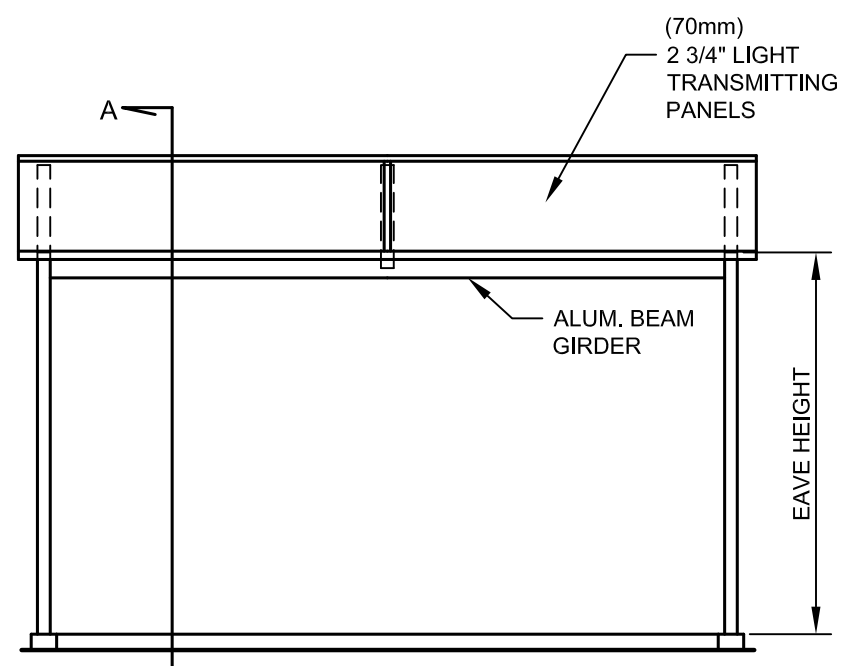
1



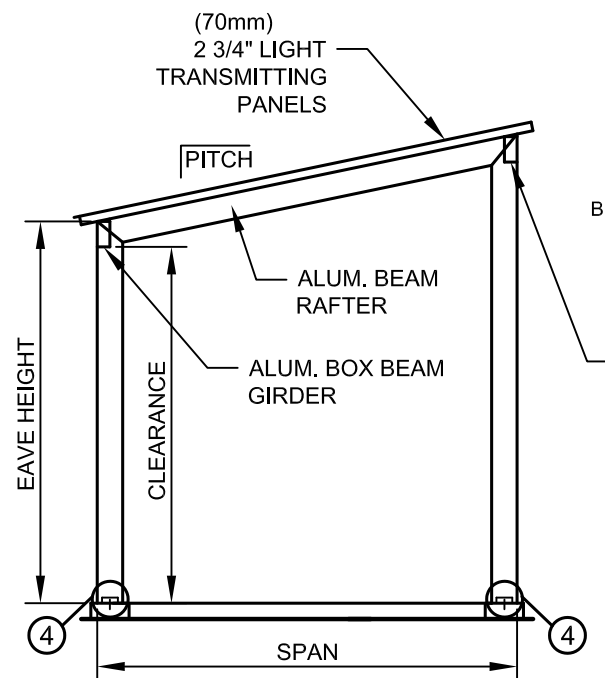
2



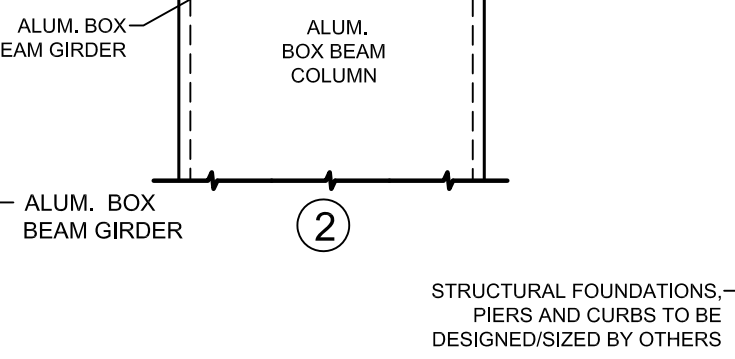
3



TYPICAL ELEVATION



SECTION A-A



4

STRUCTURAL FOUNDATIONS, PIERS AND CURBS TO BE DESIGNED/SIZED BY OTHERS

SHED CANOPY WITH WIDE COLUMN SPACING

StructuresUnlimited

ENGINEERING DAYLIGHT