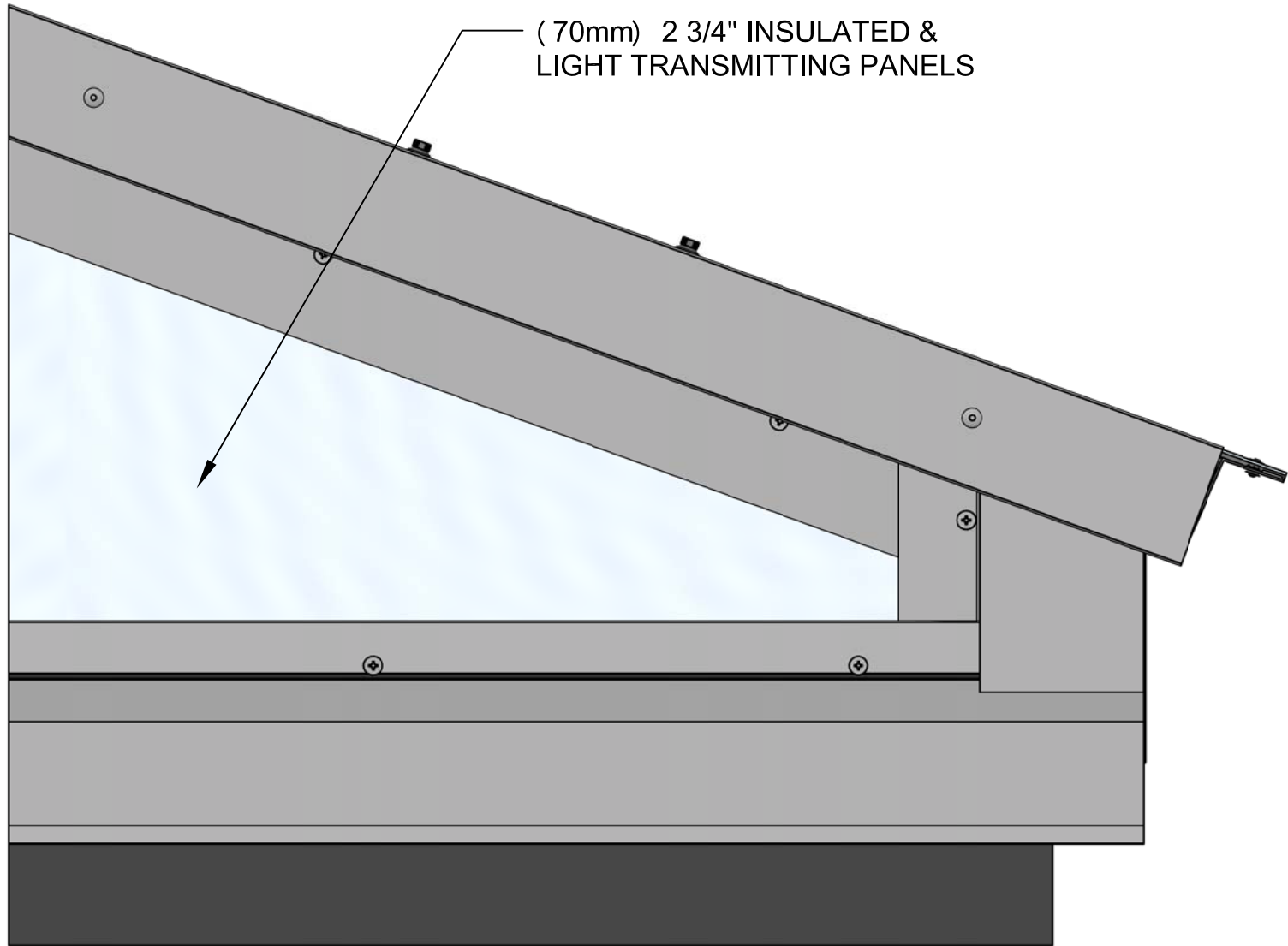


# SKYLIGHT ENDWALL "A"

Visual Representation Only - All Details Are Custom Engineered and Designed for Each Specific Project  
Please Contact Structures Unlimited, Inc. at [info@structuresunlimitedinc.com](mailto:info@structuresunlimitedinc.com) for Your Individual Solution



# SKYLIGHT ENDWALL "B"

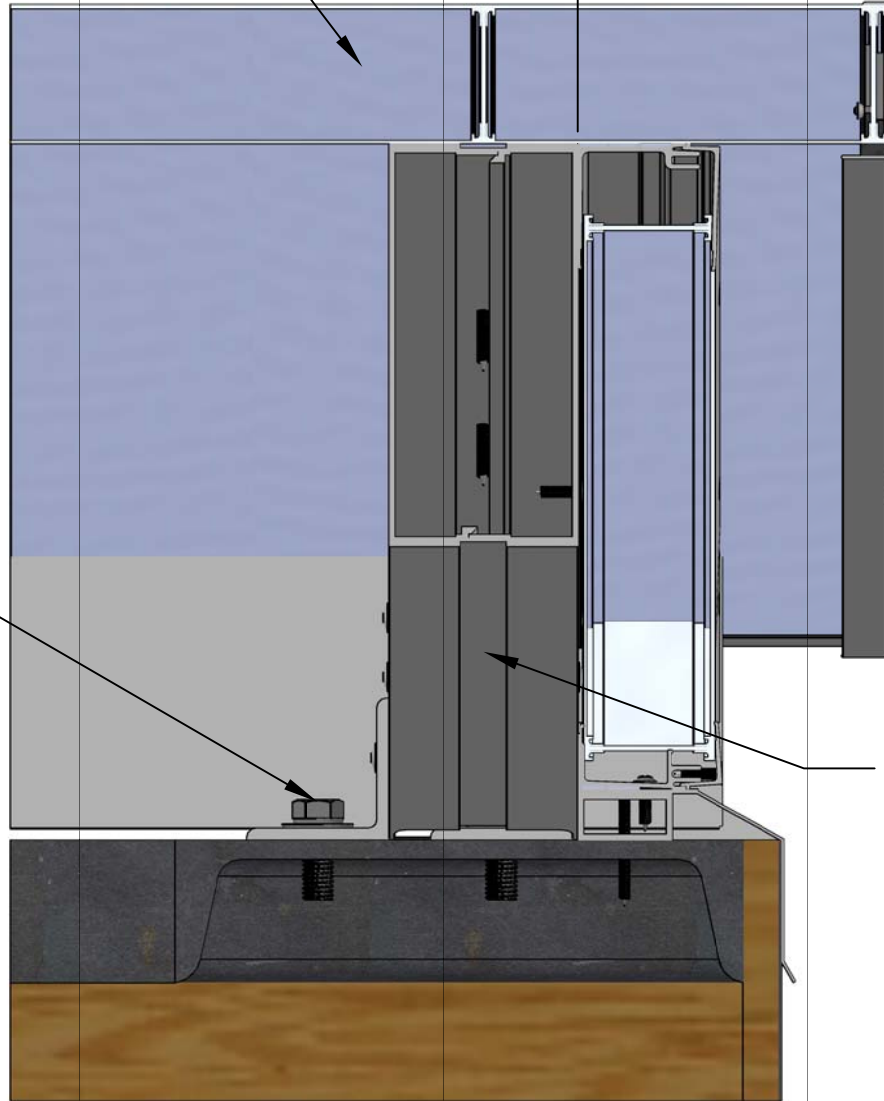
Visual Representation Only - All Details Are Custom Engineered and Designed for Each Specific Project  
Please Contact Structures Unlimited, Inc. at [info@structuresunlimitedinc.com](mailto:info@structuresunlimitedinc.com) for Your Individual Solution

(70mm) 2 3/4" INSULATED &  
LIGHT TRANSMITTING PANELS

6" O'HANG TYP.

ANCHOR BOLTS  
BY SUI

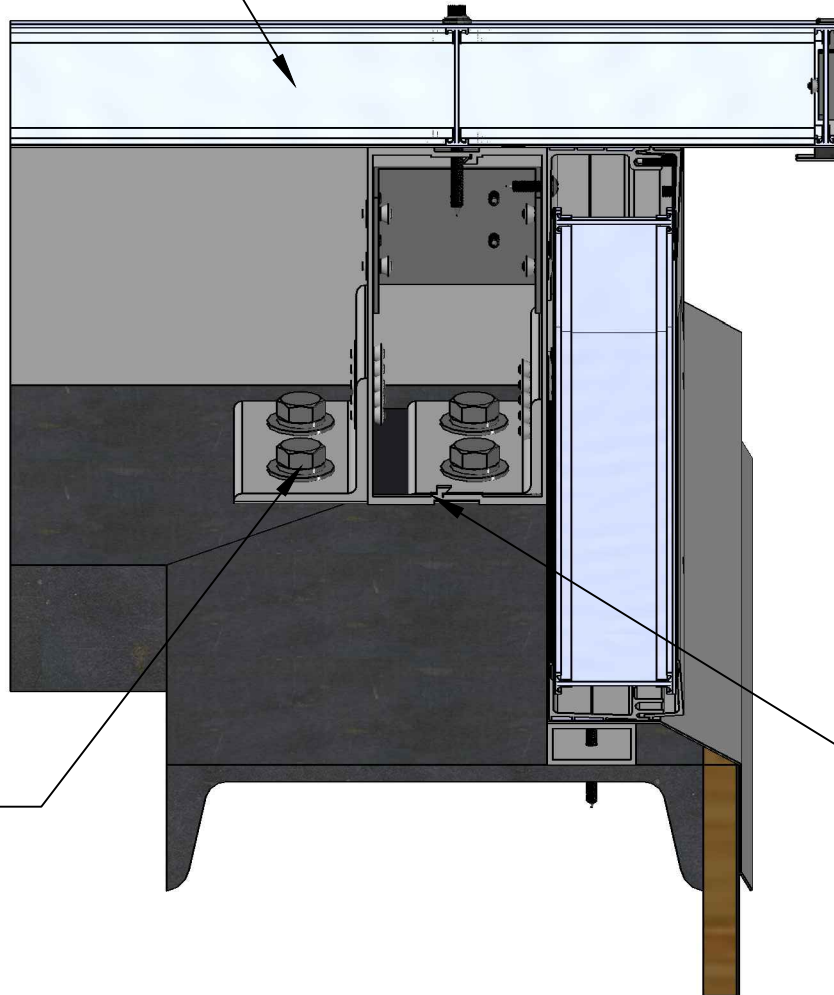
ALUMINUM BOX BEAM  
SUPERSTRUCTURE W/  
CORROSION RESISTANT  
FINISH



# SKYLIGHT ENDWALL "C"

*Visual Representation Only - All Details Are Custom Engineered and Designed for Each Specific Project  
Please Contact Structures Unlimited, Inc. at [info@structuresunlimitedinc.com](mailto:info@structuresunlimitedinc.com) for Your Individual Solution*

(70mm) 2 3/4" INSULATED &  
LIGHT TRANSMITTED PANELS



ANCHOR BOLTS  
BY SUI

ALUMINUM BOX BEAM  
SUPERSTRUCTURE W/  
CORROSION RESISTANT  
FINISH