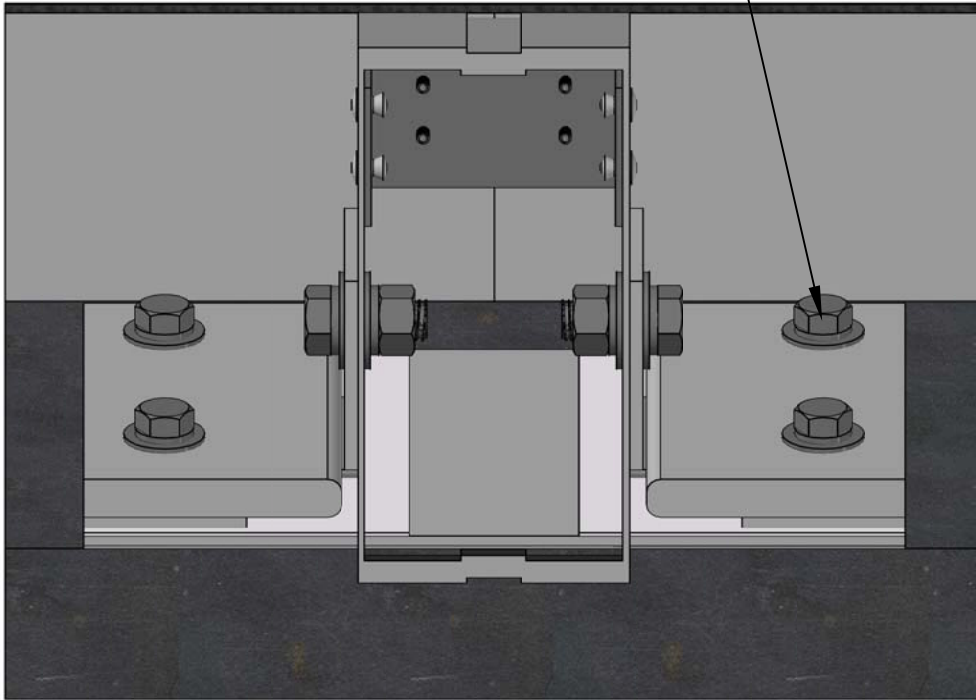


# SKYLIGHT CENTER RAFTER W/SLIDER

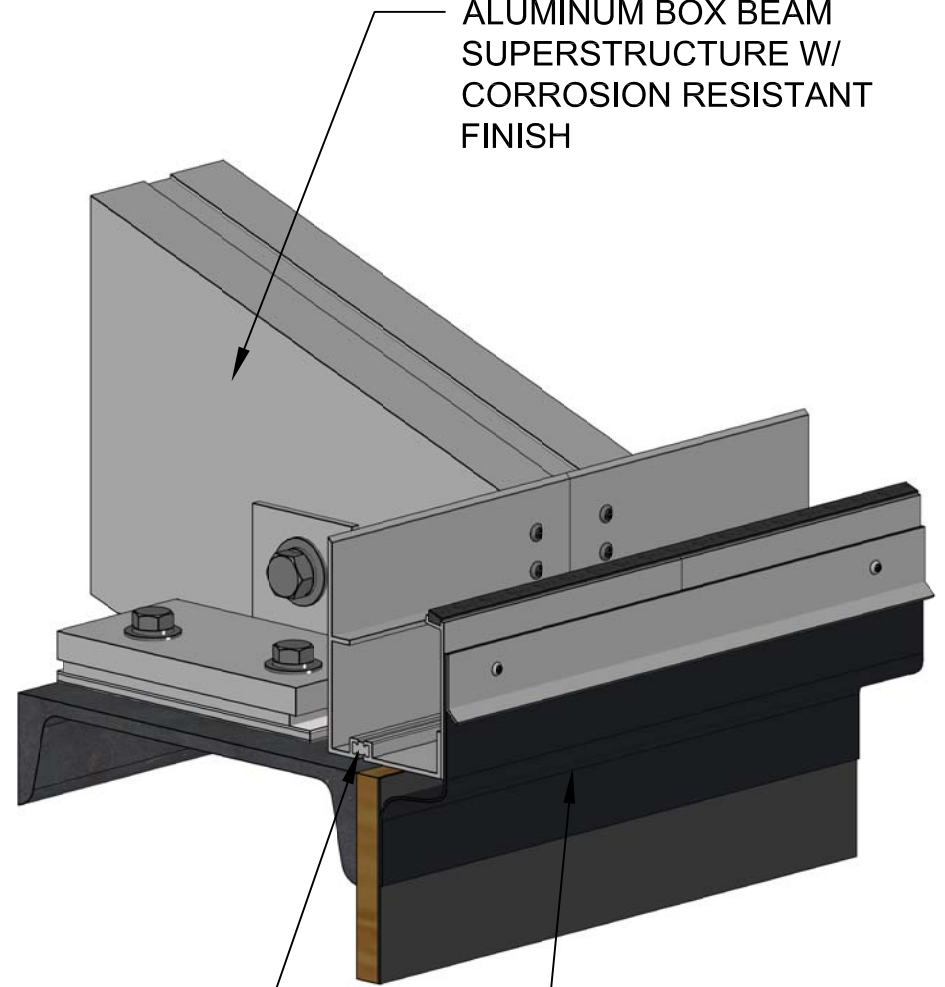
Visual Representation Only - All Details Are Custom Engineered and Designed for Each Specific Project

Please Contact Structures Unlimited, Inc. at [info@structuresunlimitedinc.com](mailto:info@structuresunlimitedinc.com) for Your Individual Solution

ANCHOR BOLTS  
BY SUI



ALUMINUM BOX BEAM  
SUPERSTRUCTURE W/  
CORROSION RESISTANT  
FINISH



THERMAL BREAK

BLACK EPDM FLEXIBLE  
FLASHING BY SUI

