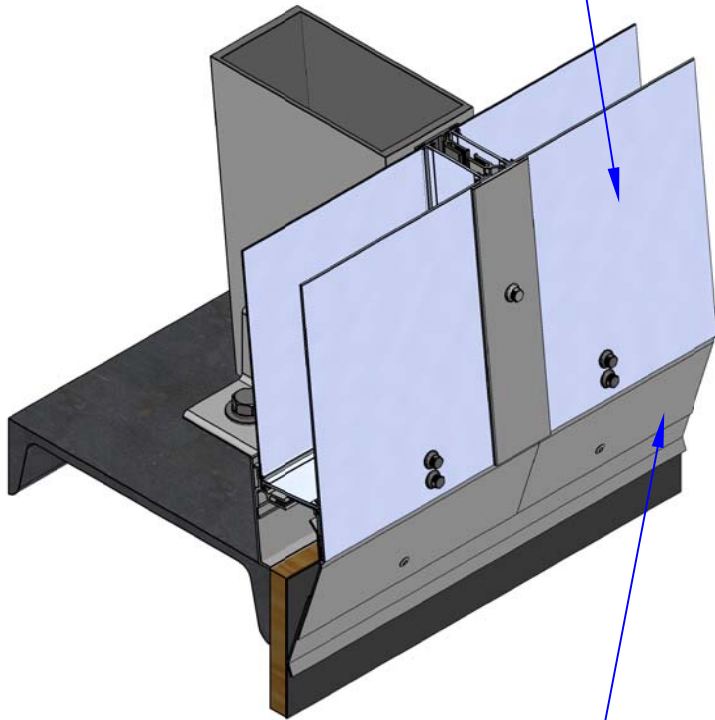


HIGH PROFILE SEGMENTED ARCH BASE CONNECTION

Visual Representation Only - All Details Are Custom Engineered and Designed for Each Specific Project

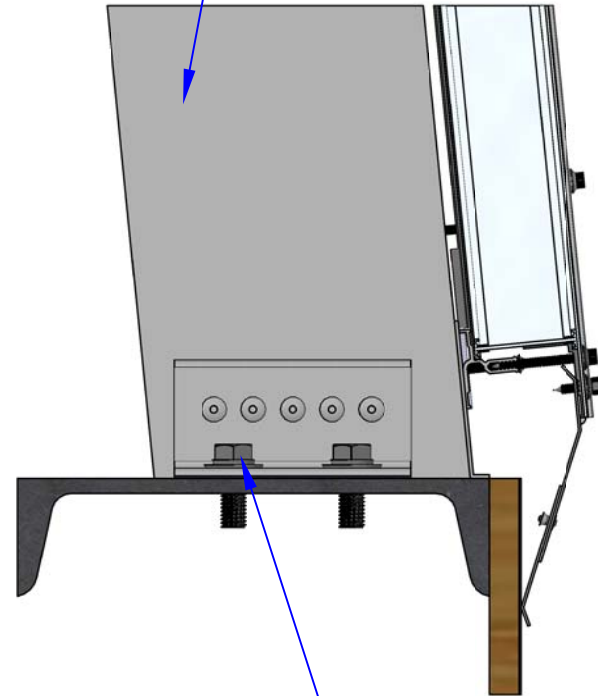
Please Contact Structures Unlimited, Inc. at info@structuresunlimitedinc.com for Your Individual Solution

(70mm) 2 3/4" INSULATED &
LIGHT TRANSMITTING PANELS



ALUMINUM FLASHING
BY SUI

ALUMINUM BOX BEAM
SUPERSTRUCTURE W/
CORROSION RESISTANT
FINISH



ANCHOR BOLTS
BY SUI