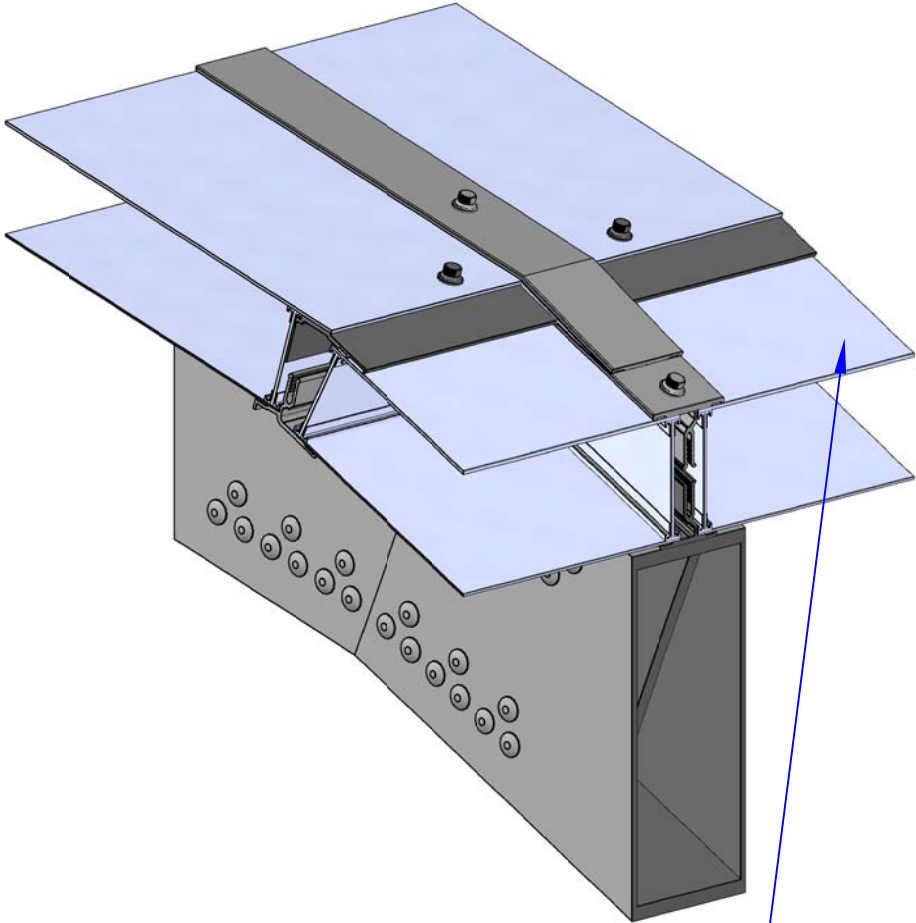
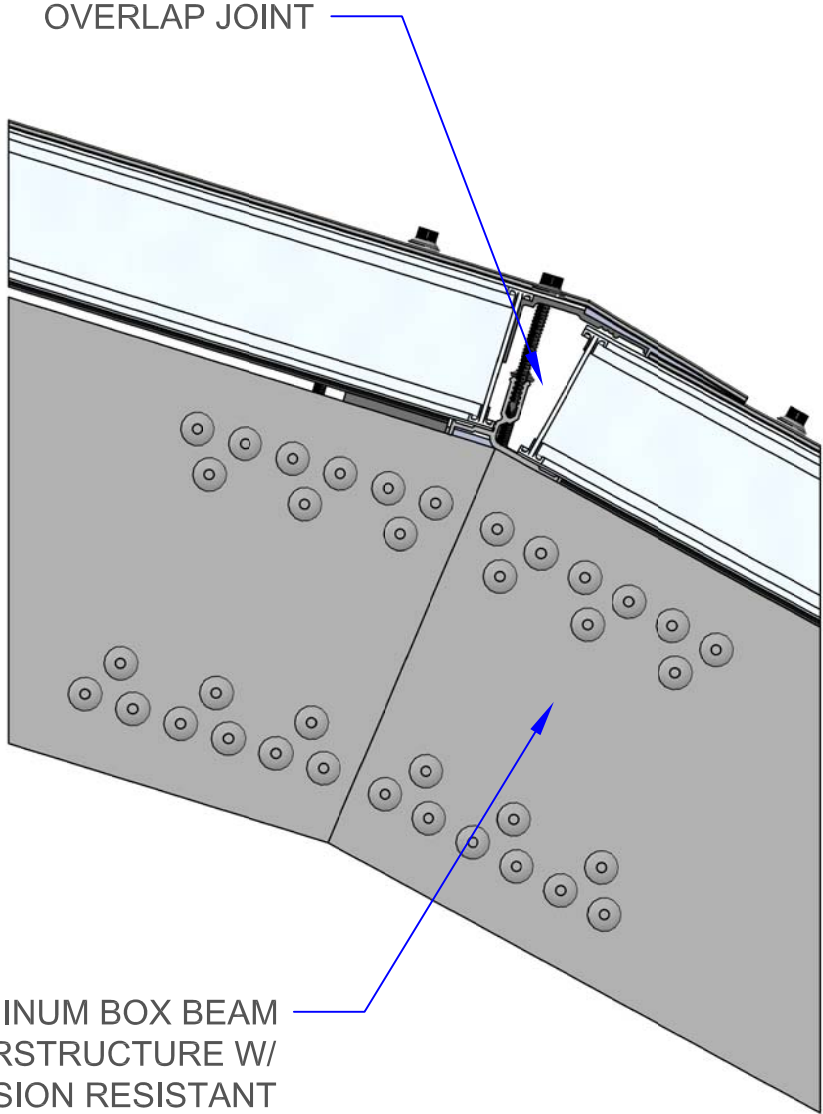


# HIGH PROFILE ARCH INTERMEDIATE CONNECTION

*Visual Representation Only - All Details Are Custom Engineered and Designed for Each Specific Project  
Please Contact Structures Unlimited, Inc. at [info@structuresunlimitedinc.com](mailto:info@structuresunlimitedinc.com) for Your Individual Solution*



(70mm) 2 3/4" INSULATED & LIGHT TRANSMITTING PANELS



OVERLAP JOINT

ALUMINUM BOX BEAM SUPERSTRUCTURE W/ CORROSION RESISTANT FINISH