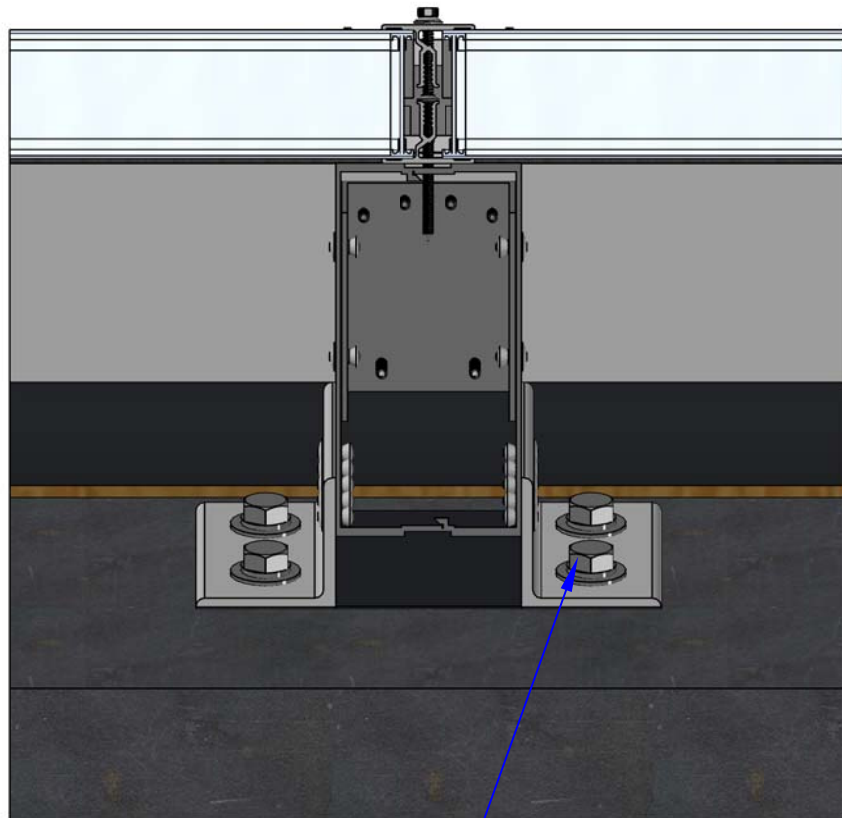


# REMOVABLE CENTER RIDGE - BASE CONNECTION

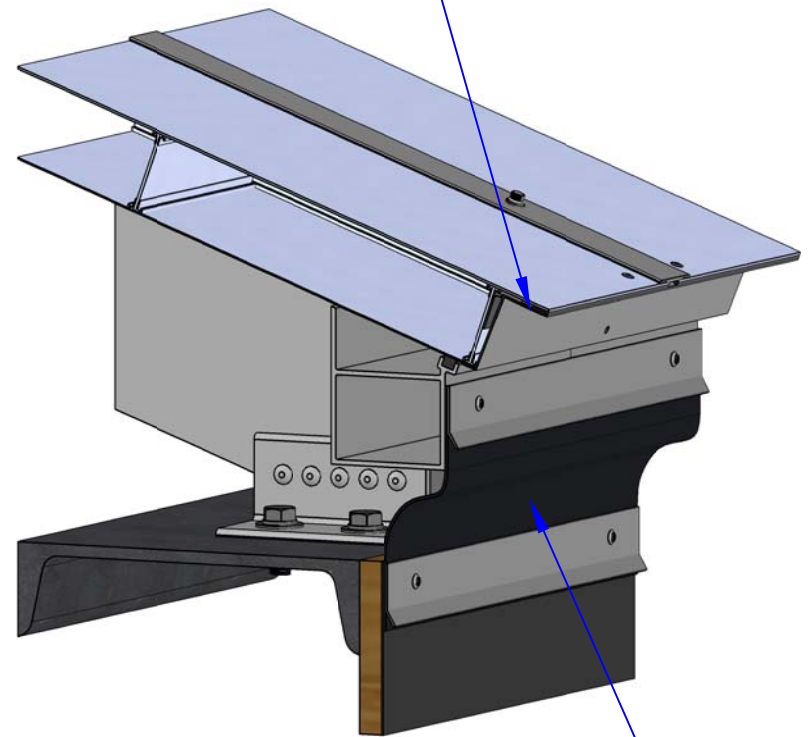
*Visual Representation Only - All Details Are Custom Engineered and Designed for Each Specific Project*

*Please Contact Structures Unlimited, Inc. at [info@structuresunlimitedinc.com](mailto:info@structuresunlimitedinc.com) for Your Individual Solution*



ANCHOR BOLTS  
BY SUI

ALUM BOX BEAM  
SUPERSTRUCTURE W/  
CORROSION RESISTANT  
FINISH



BLACK EPDM FLEXIBLE  
FLASHING BY SUI