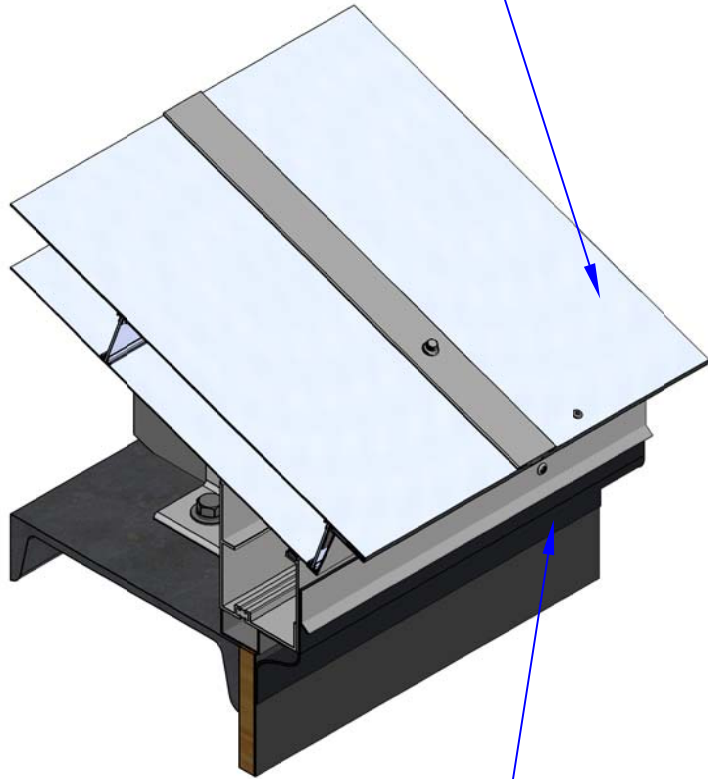


# SHED BASE CONNECTION

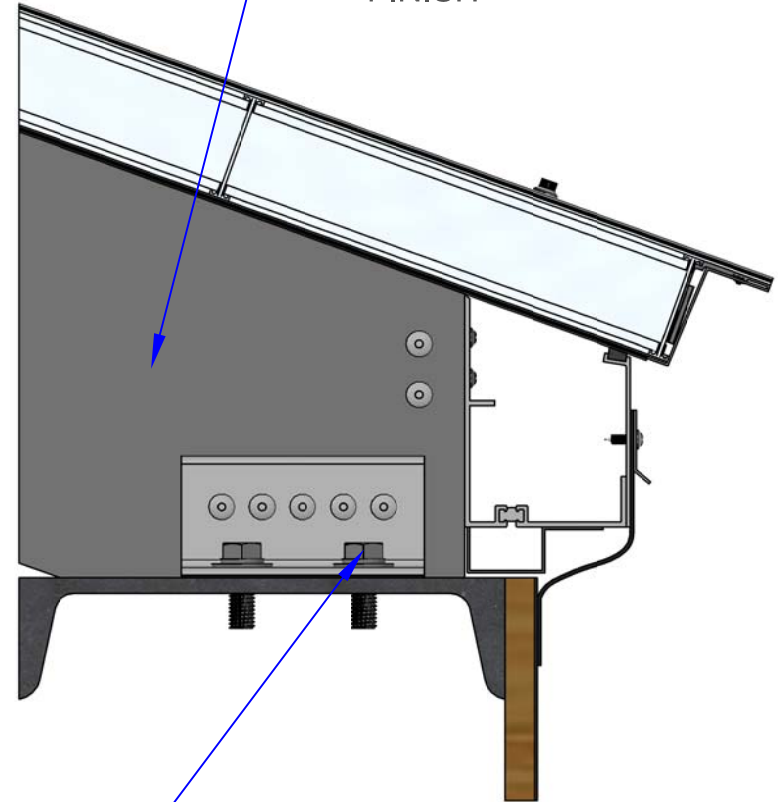
Visual Representation Only - All Details Are Custom Engineered and Designed for Each Specific Project  
Please Contact Structures Unlimited, Inc. at [info@structuresunlimitedinc.com](mailto:info@structuresunlimitedinc.com) for Your Individual Solution

(70mm) 2 3/4" INSULATED &  
LIGHT TRANSMITTING PANELS



BLACK EPDM FLEXIBLE  
FLASHING BY SUI

ALUMINUM BOX BEAM  
SUPERSTRUCTURE W/  
CORROSION RESISTANT  
FINISH



ANCHOR BOLTS  
BY SUI