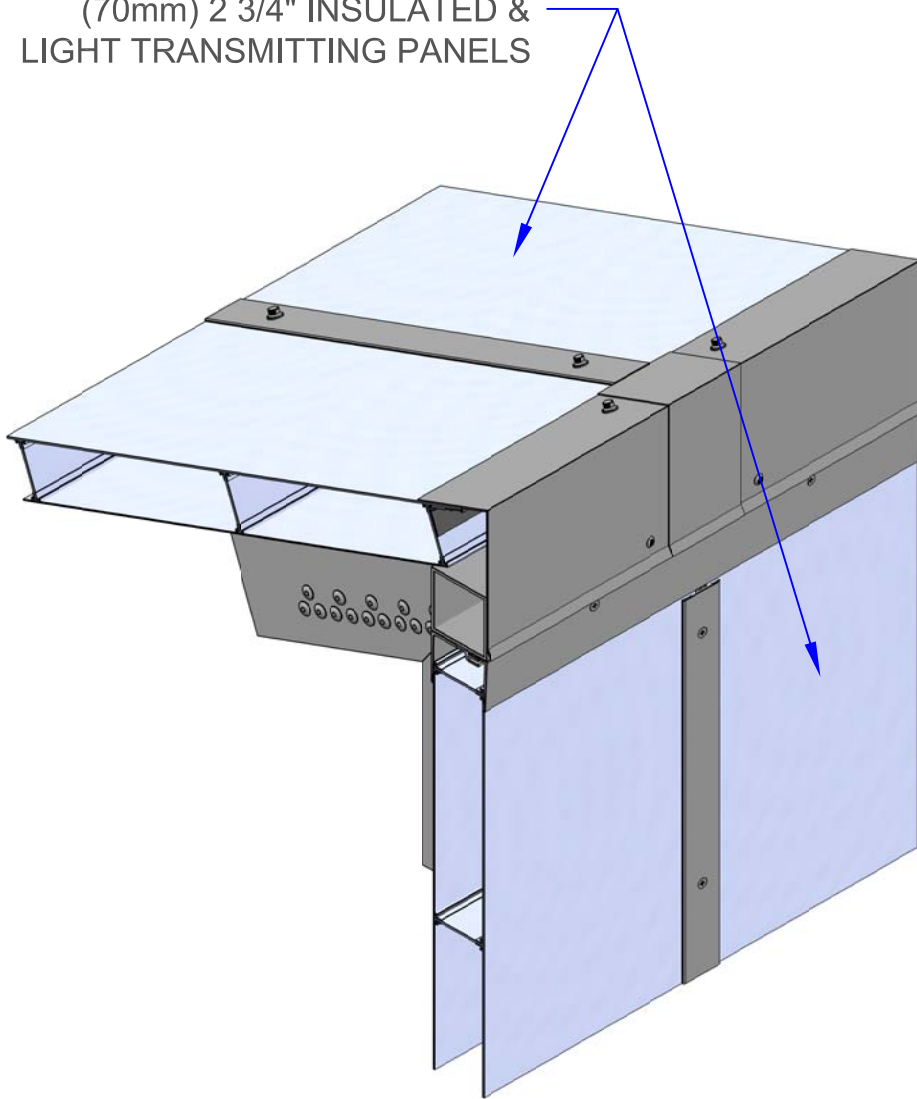


# SAWTOOTH SHED RIDGE

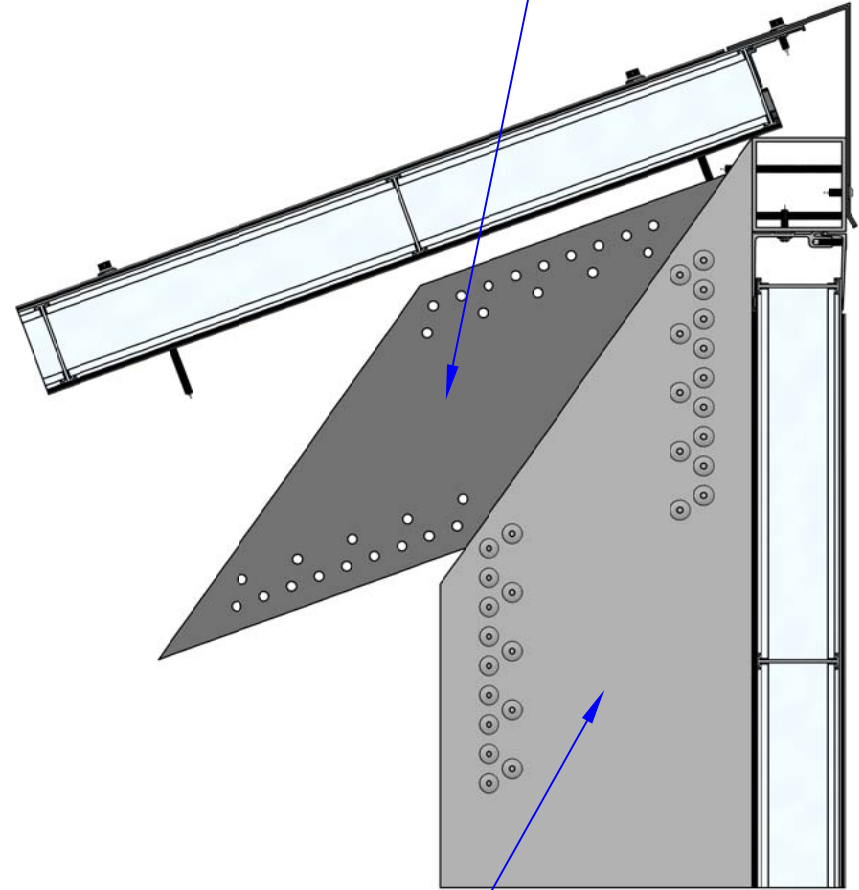
Visual Representation Only - All Details Are Custom Engineered and Designed for Each Specific Project

Please Contact Structures Unlimited, Inc. at [info@structuresunlimitedinc.com](mailto:info@structuresunlimitedinc.com) for Your Individual Solution

(70mm) 2 3/4" INSULATED &  
LIGHT TRANSMITTING PANELS



INTERNAL GUSSETED  
REINFORCEMENT



ALUMINUM BOX BEAM  
SUPERSTRUCTURE W/  
CORROSION RESISTANT  
FINISH

