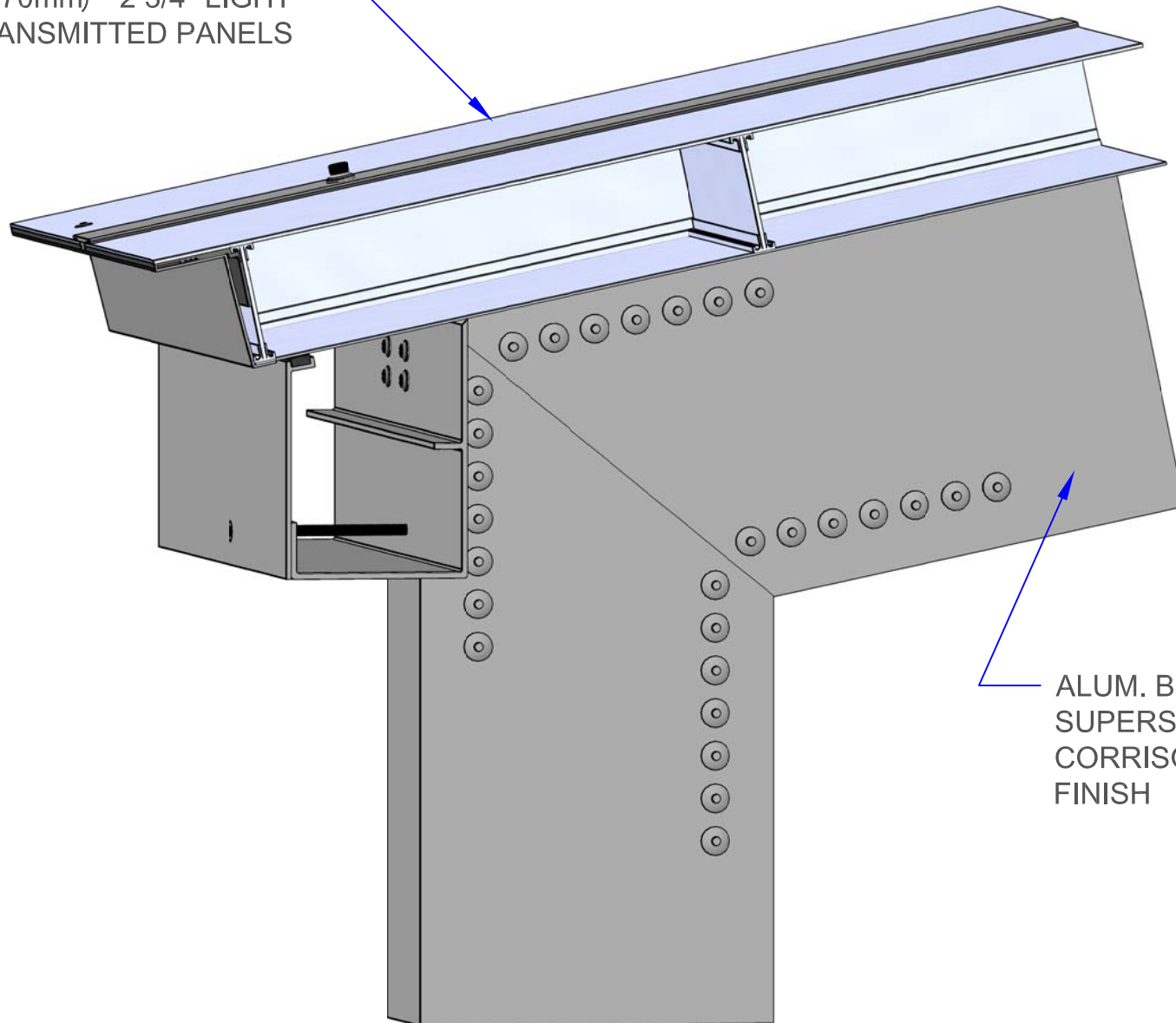


RAFTER & COLUMN WITH EAVE STRUT

Visual Representation Only - All Details Are Custom Engineered and Designed for Each Specific Project

Please Contact Structures Unlimited, Inc. at info@structuresunlimitedinc.com for Your Individual Solution

(70mm) 2 3/4" LIGHT
TRANSMITTED PANELS



ALUM. BOX
SUPERSTRUCTURE W/
CORRISON RESISTANT
FINISH