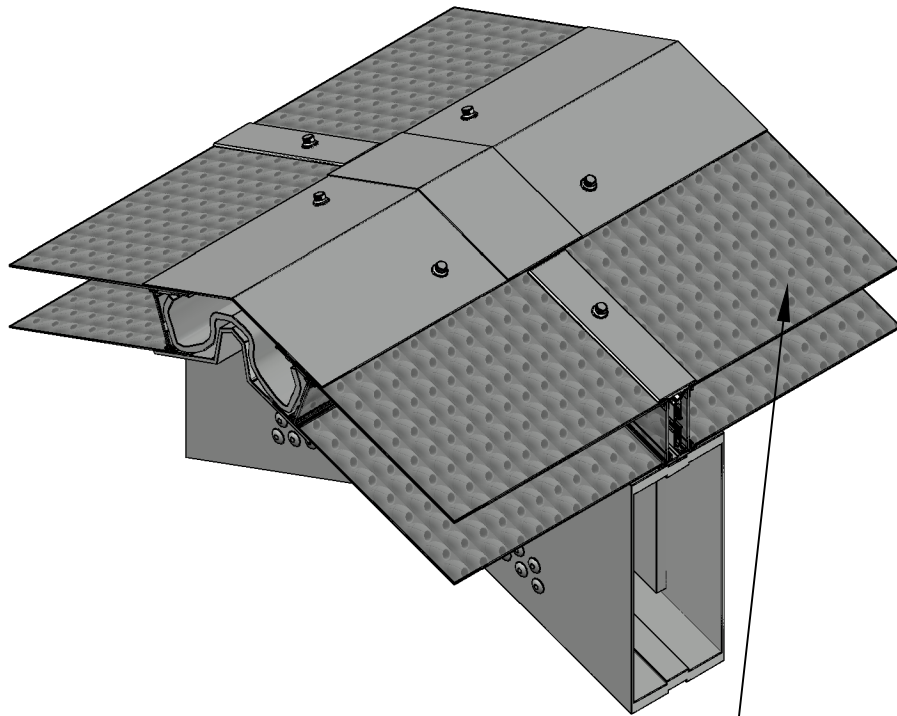


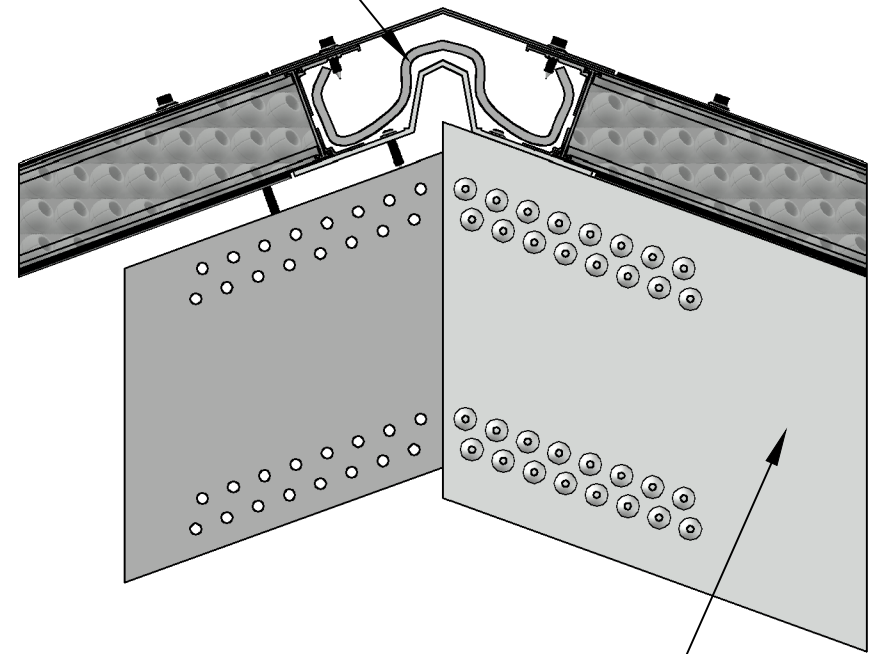
RIDGE CONNECTION

*Visual Representation Only - All Details Are Custom Engineered and Designed for Each Specific Project
Please Contact Structures Unlimited, Inc. at info@structuresunlimitedinc.com for Your Individual Solution*



(70mm) 2 3/4" INSULATED &
LIGHT TRANSMITTING PANELS

FOIL BACKED RIDGE
INSULATION



ALUMINUM BOX BEAM
SUPERSTRUCTURE W/
CORROSION RESISTANT
FINISH