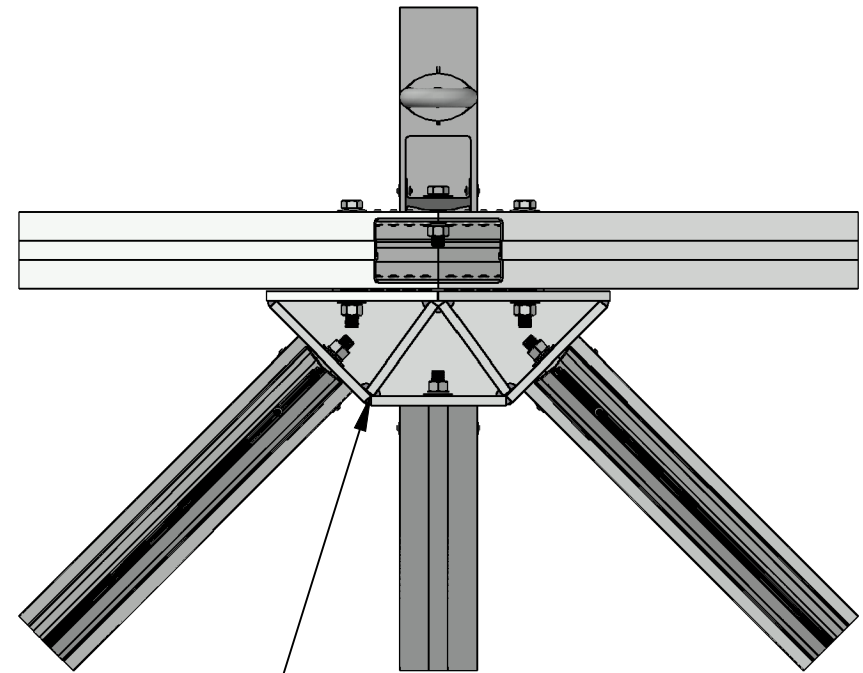
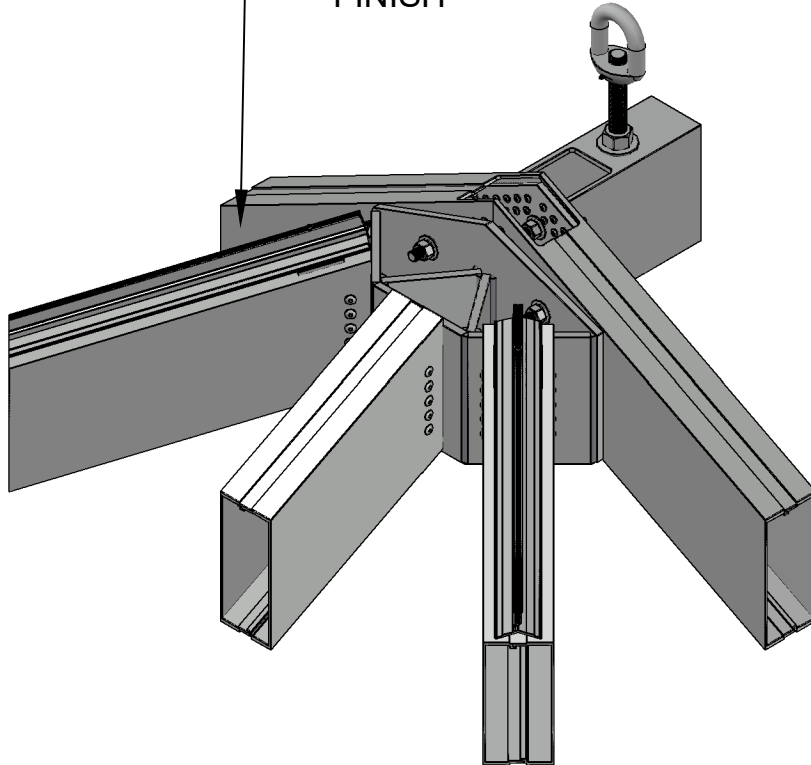


REMOVABLE HIP COMPRESSION RING

Visual Representation Only - All Details Are Custom Engineered and Designed for Each Specific Project

Please Contact Structures Unlimited, Inc. at info@structuresunlimitedinc.com for Your Individual Solution

ALUMINUM BOX BEAM
SUPERSTRUCTURE W/
CORROSION RESISTANT
FINISH



WELDED ALUMINUM
COMPRESSION RING