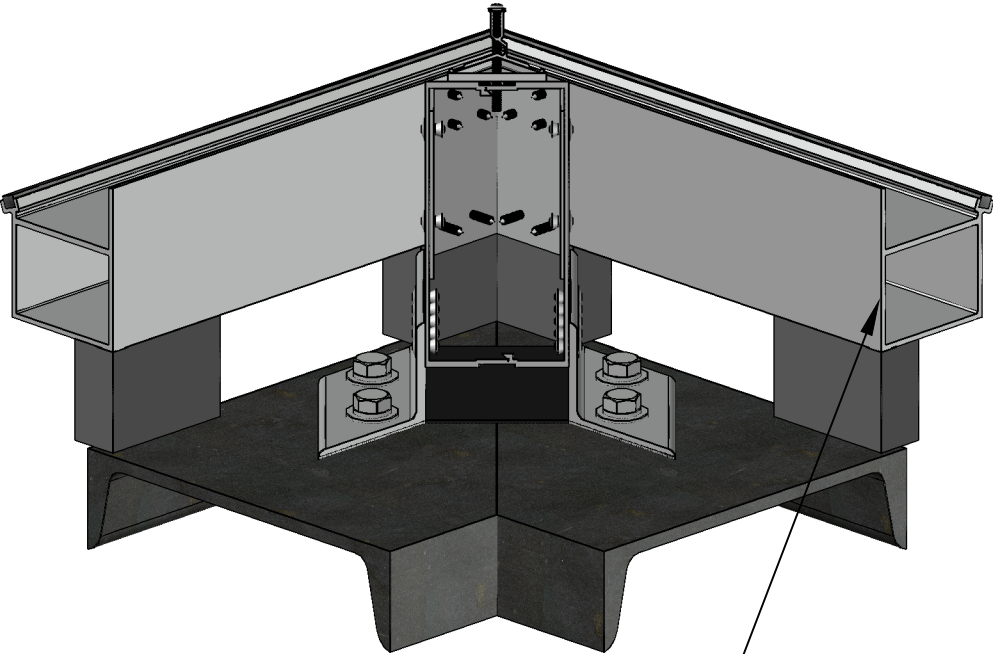
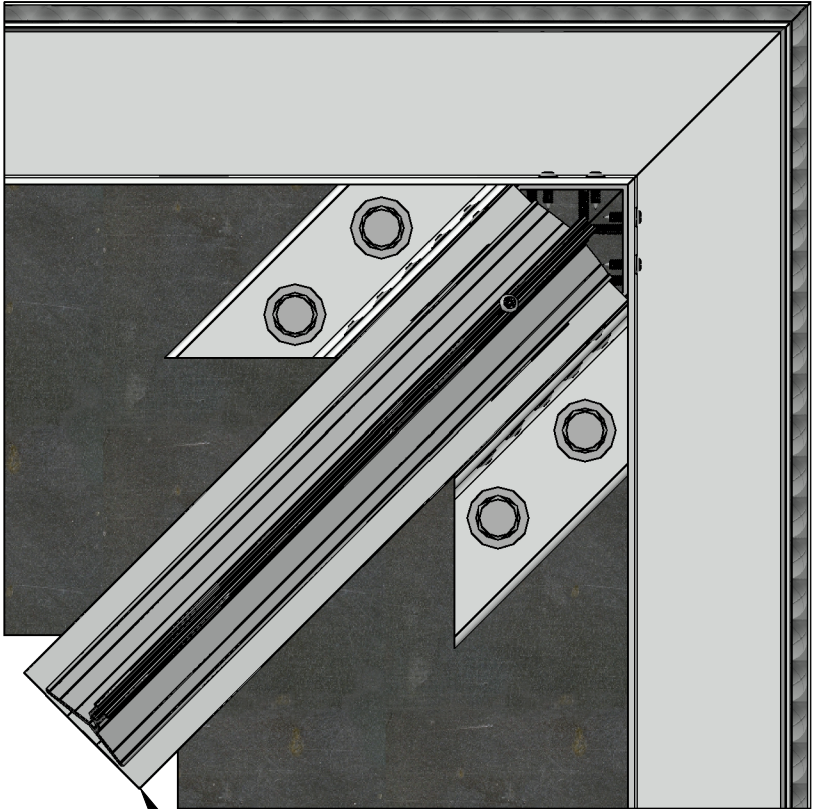


REMOVABLE HIP CORNER

Visual Representation Only - All Details Are Custom Engineered and Designed for Each Specific Project
Please Contact Structures Unlimited, Inc. at info@structuresunlimitedinc.com for Your Individual Solution



HEAVY EAVE STRUT



ALUMINUM BOX BEAM
SUPERSTRUCTURE W/
CORROSION RESISTANT
FINISH