

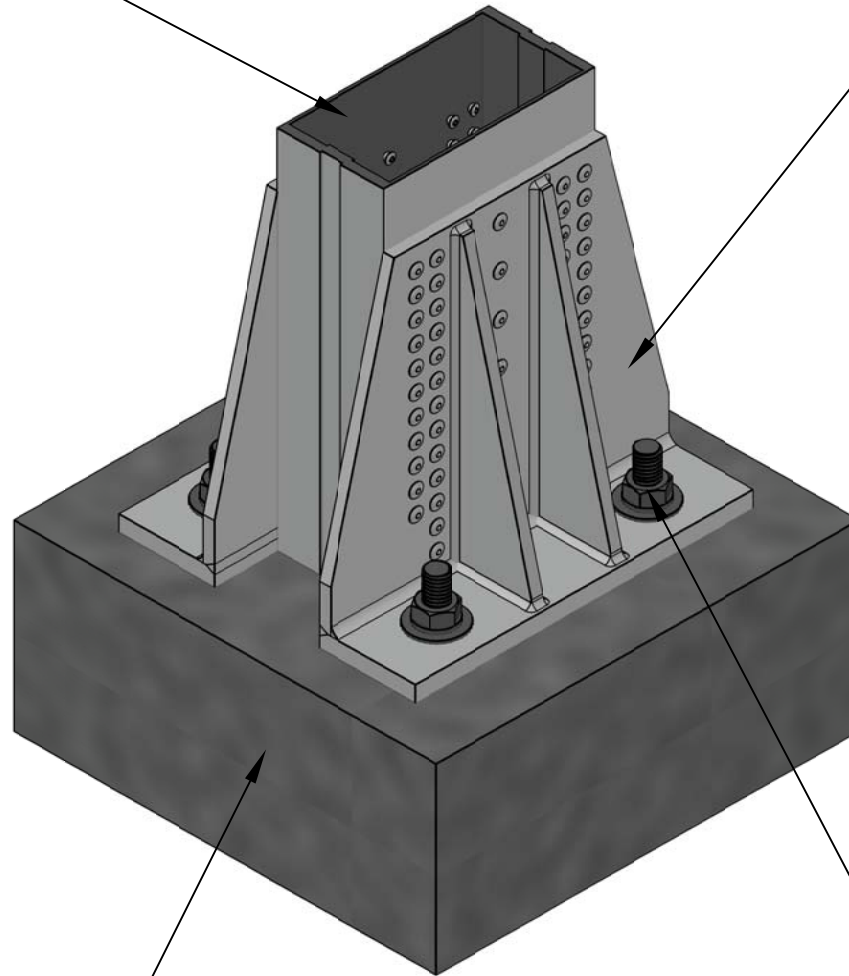
# WELDED ANGLE BASE CONNECTION

*Visual Representation Only - All Details Are Custom Engineered and Designed for Each Specific Project*

*Please Contact Structures Unlimited, Inc. at [info@structuresunlimitedinc.com](mailto:info@structuresunlimitedinc.com) for Your Individual Solution*

ALUMINUM BOX  
BEAM COLUMN

EXTERNAL ALUMINUM  
BASE BRACKET



STRUCTURAL FOUNDATIONS  
PIERS AND CURBS TO BE  
DESIGNED/SIZED BY OTHERS

ANCHOR BOLTS  
BY OTHERS